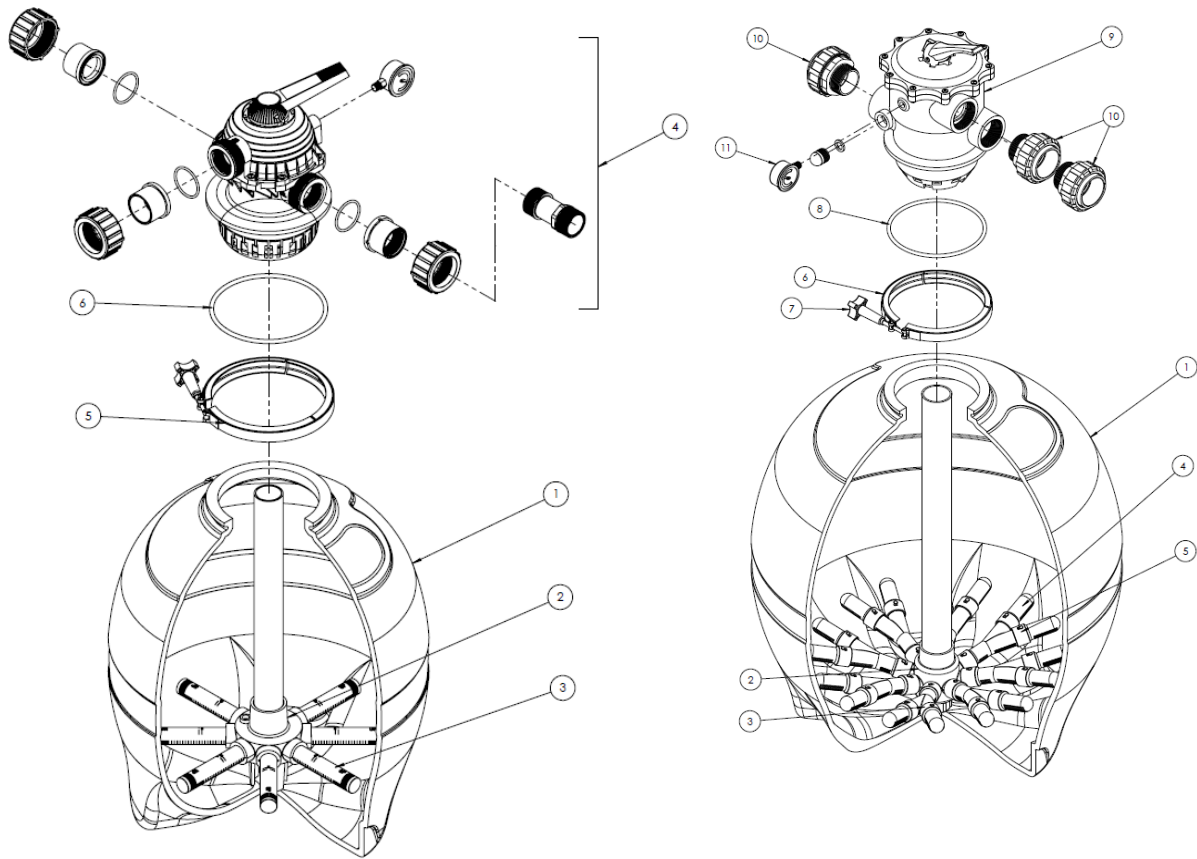


PANTERA SAND FILTERS

REPLACEMENT PARTS



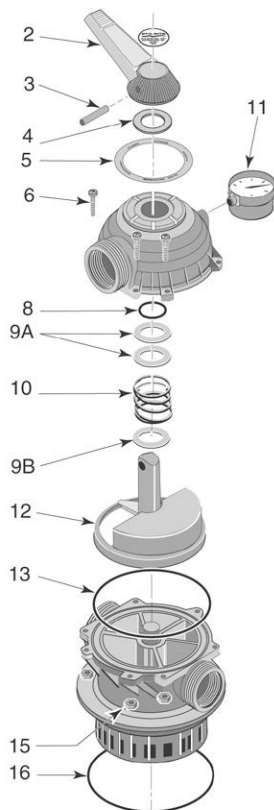
Item	Description	P21	P25	P29	P30
PANTERA HIGH-RATE SAND FILTERS					
1	FILTER TANK ASSEMBLY	110550	110551	110552	110553
2	COLLECTOR HUB	24201-0040	24201-0040	5306700	5306700
3	LATERAL PIECE	24700-0075	24700-0075	5306900	5306800
4	LATERAL END CAP	-	-	5307000	5307000
5	LATERAL LOCKING PIN	-	-	5307200	5307200
6	CLAMP ASSEMBLY	24201-0103	24201-0103	24201-0103	24201-0103
7	HANDLE - CLAMP	See Clamp Assembly			
8	O-RING - TANK FLANGE	702223	702223	702223	702223
9	MULTI-PORT VALVE ASSEMBLY*	SR14965-A003	SR14965-A003	SR14971-TM-22-L	SR14971-TM-22-L
10	BARREL UNION	14965-A033 (includes 3 pieces)		700735 (3 Required)	
11	PRESSURE GAUGE	5166700	5166700	5166700	5166700
12	BAYONET WASHER (NOT SHOWN)	-	-	5307100	5307100
13	SAND LOADING DISK (NOT SHOWN)	24201-0063	24201-0063	24201-0063	24201-0063

MULTIPOINT 1-1/2 IN. VALVE (SR14965-A003)

REPLACEMENT PARTS FOR PANTERA AND CRISTALFLO MPV'S

USED ON MODELS:

- P221100
- P225100
- CFII-TP150-40
- CFII-TP170-40
- CFII-TP200-40
- CFII-TP240-40



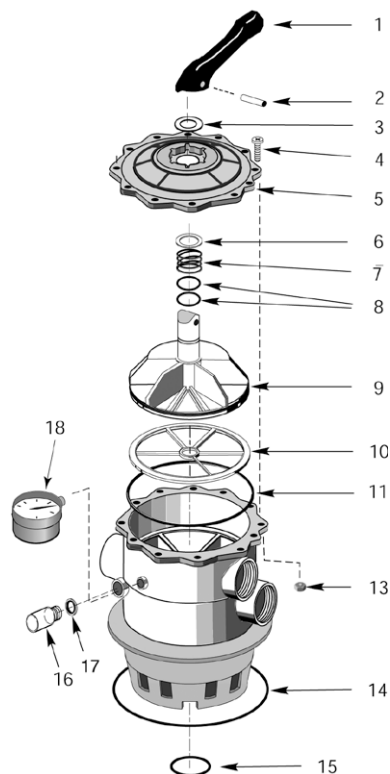
Item	Part No.	Description
MULTIPOINT 1-1/2 IN. VALVE		
2	14962-0032	Handle
3	35857-0021	Dowel Pin
4	14962-0005	Washer
5	14965-0020	Decal
6	37337-3056	Screw
7	14965-0011S	Valve Cover
8	702259	O-Ring
9A	14965-0007	Washer
9B	14965-0007	Washer
10	14965-0006	Spring
11	5166700	Gauge, Pressure
12	14965-0028	Plug and Gasket Assembly
13	702206K	O-Ring, Cover
15	14965-0013	Valve Body Assembly
16	702223	O-Ring, Tank Flange
NOT SHOWN		
	24201-0103	Clamp Assembly

MULTIPOINT 2 IN. VALVES (SR14971-TM-22-L)

REPLACEMENT PARTS FOR PANTERA AND CRISTALFLO MPV'S

USED ON MODELS:

- P229200
- P233200
- CFII-TP300-50



Item	Part No.	Description
MULTIPOINT 2 IN. VALVE		
1	14971-SM10E1	Handle (ABS)
2	14971-SM10E2	Pin (S.S. 304)
3	14971-SM10E3	Washer
4	14971-SM10E4	Screw (S.S. 304)
5	14971-SM20E6	Valve Cover (ABS)
6	14971-SM10E8	Washer
7	14971-SM10E9	Spring (S.S. 304)
8	14971-SM10E10	O-Ring (Mitrile)
9	14971-SM20E11	Plug & Gasket Assembly
10	See 9	Gasket (Kratom)
11	14971-SM20E7	O-Ring, Cover
13	14971-SM10E14	Nut, Hex (S.S. 304)
14	U9-369	O-Ring, Tank Flange
15	35505-1243	O-Ring, Stand Pipe
16	14971-SM10E17	Sight Glass
17	14971-SM10E16	Sight Glass, Gasket
18	15060-0000T	Gauge, Pressure