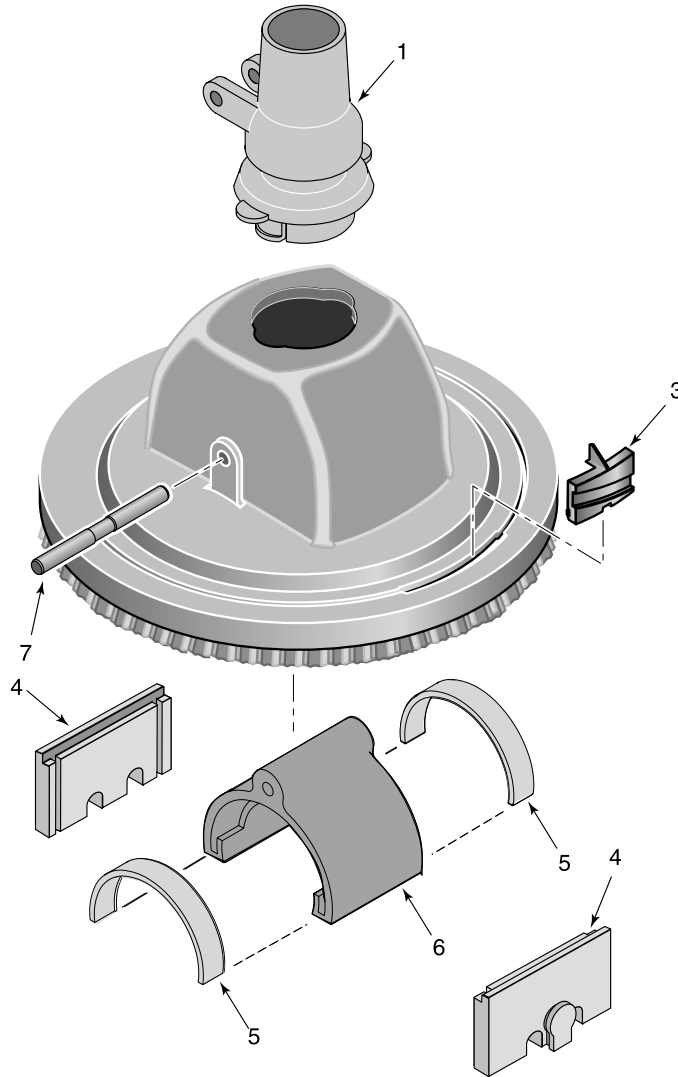


# 'LIL SHARK™ REPLACEMENT PARTS



Item	Part No.	Description
LIL SHARK REPLACEMENT PARTS		
1	GW9012	Swivel Assembly
3	41100-0026	Ring Adjuster
4	Not Avail.	Oscillator Impact Bumper (Pkg of 2)
5	GW9004	Oscillator Seals (Pkg of 2)
6	GW9003	Oscillator Kit (Includes Seals)
7	GW9002	Axle Shaft
NOT SHOWN		
	GW9018	Vacuum Regulator
	GW9015	Reducer Cone
	GW9019	Unidapt Handle
	GW9510	Replacement Hose Kit (Includes 1 each 20 ft., 8 ft. and 4 ft. Hose)

**Note:** If body fails, order GW8000.