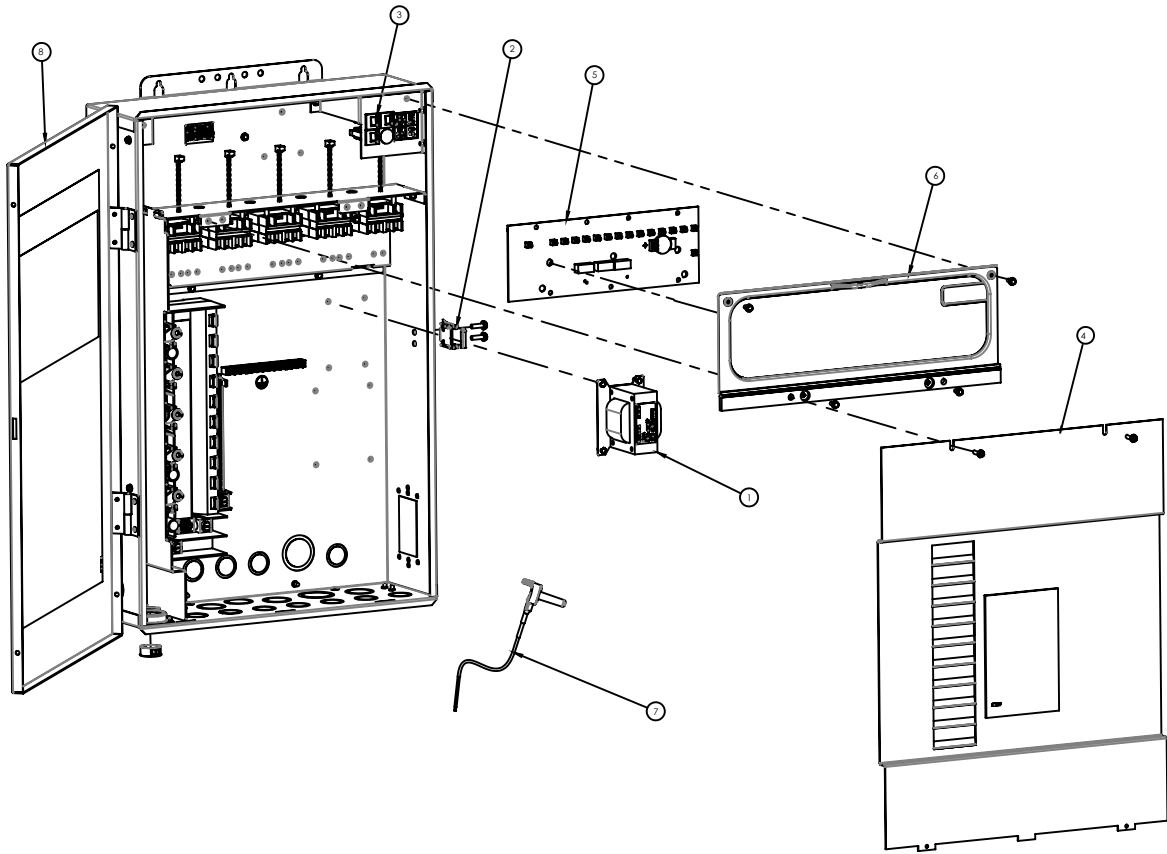


INTELLITOUCH® AUTOMATION REPLACEMENT PARTS



Item	Part No.	Description
NEW INTELLITOUCH AUTOMATION REPLACEMENT PARTS		
1	521233	NEW LOAD CENTER SYSTEM XFMR
2	521081Z	DOOR LATCH
3	8520031	REPLACEMENT CIRCUIT BREAKER
4	521078Z	NEW POWER CENTER HIGH VOLTAGE COVER PANEL
5	520287	CIRCUIT BOARD, UNIVERSAL OUTDOOR CONTROLLER (MOTHER BOARD)
5	520267	CIRCUIT BOARD, i9+3 PERSONALITY
5	520296Z	CIRCUIT BOARD, i5+3S PERSONALITY
5	520077Z	CIRCUIT BOARD, i10+3D PERSONALITY
5	520080Z	CIRCUIT BOARD, i5X PERSONALITY
5	520079Z	CIRCUIT BOARD, i10X PERSONALITY
6	521228	NEW OCP BEZEL, i5+3, i7, i9+3
6	521229	NEW OCP BEZEL, i10+3D
6	521230	NEW OCP BEZEL, i5+3S, i9+3S
6	521231	NEW OCP BEZEL, i5x, i10x
7	520272	TEMPERATURE SENSOR, 10K THERMISTOR 20 FT. FOR WATER/AIR/SOLAR
8	521227	NEW LOAD CENTER DOOR W/ET & IT LABELS
NOT SHOWN		
	8023304	4-PIN COM PORT CONNECTOR
	520283	LABEL SET OF 10 INTELLITOUCH® OUTDOOR CONTROL PANEL
	520108	TERMINAL SCREW 4 WIRE (GREEN)