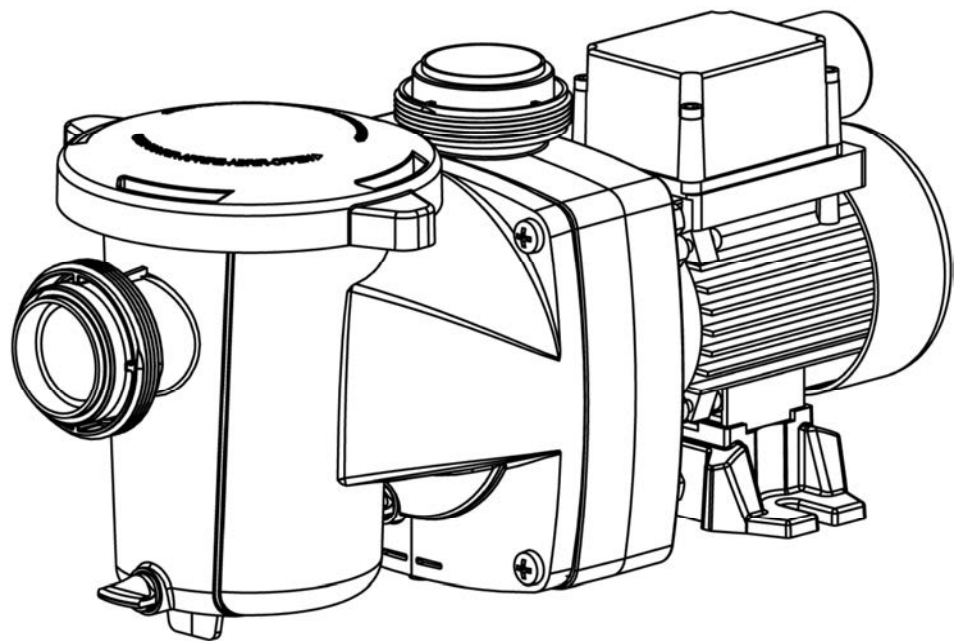




FREEFLO™

HIGH PERFORMANCE PUMP

**INSTALLATION GUIDE / INSTALLATIEHANDLEIDING
BEDIENUNGSANLEITUNG / GUIDE DE L'INSTALLATION
GUIA DE INSTALACION / GUIDE ALL'INSTALLAZIONE**



EUROPE

Pentair Water Belgium B.V.B.A
Toekomstlaan, 30 Herentals,
Belgium B-2200
www.pentairpooleurope.com

AUSTRALIA

Pentair Water Australia
1-21 Monash Drive
Dandenong South
Victoria Australia 3175
www.pentairwater.com.au

SOUTH AFRICA

Pentair Water South Africa
24 Vuurslag Street
Spartan Ext7
Gauteng, South Africa
www.kreepykrauly.co.za

© 2013 Pentair, Inc. All rights reserved. This document is subject to change without notice.

Trademarks and disclaimers: All Pentair trademarks and logos are owned by Pentair, Inc. FreeFlo™ and Cam and Ramp™ are trademarks of Pentair Water Pool and Spa, Inc. and/or its affiliated companies in the United States and/ or other countries. Unless expressly noted, names and brands of third parties that may be used in this document are not used to indicate an affiliation or endorsement between the owners of these names and brands and Pentair Water Pool and Spa, Inc. Those names and brands may be the trademarks or registered trademarks of those third parties. Because we are continuously improving our products and services, Pentair reserves the right to change specifications without prior notice. Pentair is an equal opportunity employer.

Contents

Warnings and Safety Instructions..... 2

Section 1: Introduction..... 4

Section 2: Electrical Requirements and Wiring..... 5

Section 3: Pump Installation..... 5





Section 4: Start / Operation..... 6

Section 5: Maintenance..... 6

Section 6: Troubleshooting..... 7

Section 7: Technical Data..... 8

IMPORTANT PUMP WARNING AND SAFETY INSTRUCTIONS

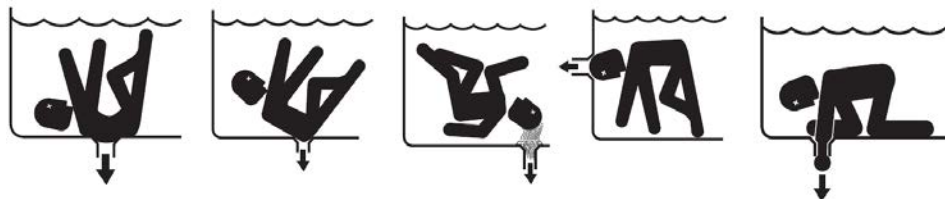
READ AND FOLLOW ALL WARNING AND SAFETY INSTRUCTIONS!	
	This is the safety alert symbol. When you see this symbol on your system or in this manual, look for one of the following signal words and be alert to the potential for personal injury.
	Warns about hazards that can cause death, serious personal injury, or major property damage if ignored
	Warns about hazards that may cause death, serious personal injury, or major property damage if ignored.
	Warns about hazards that may or can cause minor personal injury or property damage if ignored.
Carefully read and follow all safety instructions in this manual and on equipment. Keep safety labels in good condition; replace if missing or damaged.	

⚠ DANGER

FAILURE TO FOLLOW ALL INSTRUCTIONS AND WARNINGS CAN RESULT IN SERIOUS BODILY INJURY OR DEATH. THIS PUMP SHOULD BE INSTALLED AND SERVICED ONLY BY A QUALIFIED SERVICE PROFESSIONAL. INSTALLERS, OPERATORS AND OWNERS MUST READ THESE WARNINGS AND ALL INSTRUCTIONS IN THE OWNER'S MANUAL BEFORE USING THIS PUMP. THESE WARNINGS AND THE OWNER'S MANUAL MUST BE LEFT WITH THE HOME OWNER.

⚠ DANGER

SUCTION ENTRAPMENT HAZARD: STAY OFF THE MAIN DRAIN AND AWAY FROM ALL SUCTION OUTLETS!



THIS PUMP PRODUCES HIGH LEVELS OF SUCTION AND CREATES A STRONG VACUUM AT THE MAIN DRAIN AT THE BOTTOM OF YOUR POOL AND SPA. THIS SUCTION IS SO STRONG THAT IT CAN TRAP ADULTS OR CHILDREN UNDER WATER IF THEY COME IN CLOSE PROXIMITY TO A POOL OR SPA DRAIN, OR A LOOSE OR BROKEN DRAIN COVER OR GRATE.

IMPORTANT PUMP WARNING AND SAFETY INSTRUCTIONS

READ AND KEEP THESE INSTRUCTIONS FOR FUTURE REFERENCE

DANGER

THE USE OF UNAPPROVED DRAIN COVERS OR ALLOWING USE OF THE POOL OR SPA WHEN COVERS ARE MISSING, CRACKED OR BROKEN CAN RESULT IN BODY OR LIMB ENTRAPMENT, HAIR ENTANGLEMENT, BODY ENTRAPMENT, EVISCERATION AND/OR DEATH.

The suction at a pool or spa drain or outlet can cause:

Limb Entrapment: When a limb is sucked or inserted into an opening resulting in a mechanical bind or swelling. This hazard is present when a drain cover is missing, broken, loose, cracked or not properly secured.

Hair Entanglement: When the hair tangles or knots in the drain cover, trapping the swimmer underwater. This hazard is present when the flow rating of the cover is too small for the pump or pumps.

Body Entrapment: When a portion of the body is held against the drain cover trapping the swimmer underwater. This hazard is present when the drain cover is missing, broken or the cover flow rating is not high enough for the pump or pumps.

Evisceration/Disembowelment: When a person sits on an open pool (particularly a child wading pool) or spa outlet and suction is applied directly to the intestines, causing severe intestinal damage. This hazard is present when the drain cover is missing, loose, cracked, or not properly secured.

Mechanical Entrapment: When jewelry, swimsuit, hair decorations, finger, toe or knuckle is caught in an opening of an outlet or drain cover. This hazard is present when the drain cover is missing, broken, loose, cracked, or not properly secured.

NOTE: ALL SUCTION PLUMBING MUST BE INSTALLED IN ACCORDANCE WITH THE LATEST NATIONAL AND LOCAL CODES FOR SWIMMING POOLS, SPAS AND HOT TUBS.

WARNING

TO MINIMIZE THE RISK OF INJURY DUE TO SUCTION ENTRAPMENT HAZARD:

- Pools and spas should utilize a minimum of two drains per pump.
- A properly installed and secured anti-entrapment suction cover must be used for each drain.
- Each suction cover must be installed at least thirty six (36") inches apart, as measured from the nearest point to nearest point.
- Regularly inspect all covers for cracks, damage and advanced weathering.
- If a cover becomes loose, cracked, damaged, broken or is missing, close the pool or spa immediately, shut off the pump, post a notice and keep the pool or spa closed until an appropriate certified cover is properly installed and approved.
- Replace drain covers as necessary. Drain covers deteriorate over time due to exposure to sunlight, pool chemicals and weather.
- Avoid getting hair, limbs or body in close proximity to any suction cover, pool drain or outlet.
- Use a safety vacuum release system ("SVRS"), suction limiting system or automatic pump shut-off system.

WARNING

A clearly labeled emergency shut-off switch for the pool pump and spa jet pump must be in an easily accessible, obvious place near the pool or spa. Make sure bathers know where it is and how to use it in case of emergency.

- The appliance is not intended for use by persons (including children) with reduced physical, sensory or mental capabilities, or lack of experience and knowledge, unless they have been given supervision or instruction concerning use of the appliance by a person responsible for their safety.
- Children should be supervised to ensure that they do not play with the appliance.
- A means for disconnection from the supply mains, having a contact separation in all poles, must be included in the fixed wiring in accordance with the wiring rules.
- The pump must be supplied through a residual current device (RCD) having a rated residual operating current not exceeding 30mA.
- If the supply cord is damaged, it must be replaced by the manufacturer, its service agent or similarly qualified persons in order to avoid a hazard.

IMPORTANT PUMP WARNING AND SAFETY INSTRUCTIONS

⚠ DANGER



HAZARDOUS PRESSURE: STAND CLEAR OF PUMP AND FILTER DURING START-UP
Pool and spa circulation systems operate under high pressure. When any part of the circulating system (i.e. pump, filter, valves, etc.) is serviced, air can enter the system and become pressurized. Pressurized air can cause the pump housing, cover, filter lid and valves to violently separate which can result in severe personal injury or death. Filter tank lid and strainer cover must be properly secured to prevent violent separation. Stand clear of all circulation system equipment when turning on or starting pump.

⚠ CAUTION

Electrical controls such as on/off switches, timers, and control systems, etc. should be properly installed to allow the operation (start-up, shut-down, or servicing) of any pump or filter without requiring the user to place any portion of his/her body over or near the pump strainer lid or filter lid. Such installation should allow the user to stand clear of the filter and pump during system start-up, shut down or servicing of the system.

Before servicing pool and spa equipment, make note of the filter pressure. Be sure that all controls are set to ensure the system cannot inadvertently start during service. Turn off all power to the pump.

IMPORTANT: Before starting the system, fully open the manual air relief valve and place all system valves in the "open" position to allow water to flow freely from the pool and spa back to the pool or spa. Stand clear of all pool and spa equipment and start the pump.

IMPORTANT: Do not close filter manual air relief valve until all pressure has been discharged from the valve and a steady stream of water appears. Observe filter pressure gauge and be sure it is not higher than the pre-service condition.

Section 1

Introduction

⚠ WARNING

Failure to follow the safety instructions may result in serious adverse health effects, or even serious or fatal injury. Failure to follow the safety instructions will in all cases invalidate all guarantees and liability on the part of the manufacturer.

DO NOT run the pump dry. If the pump is run dry, the mechanical seal will be damaged and the pump will start leaking. If this occurs, the damaged seal must be replaced. ALWAYS maintain proper water level. If the water level falls below the suction port, the pump will draw air through the suction port, losing the prime and causing the pump to run dry, resulting in a damaged seal. Continued operation in this manner could cause a loss of pressure, resulting in damage to the pump case, impeller and seal and may cause property damage and personal injury.

FreeFlo™ High Performance Pump Overview

The perfect choice for all types of pools, the FreeFlo™ pump was specifically designed to be your best choice for a variety of aboveground and inground pools. Thick walled body parts, a heavy duty motor, and highly engineered hydraulics make this rugged and tested design perfect for any pool, spa, water feature, or fountain. The silent running capability and small footprint allow FreeFlo pump to easily drop into a compact space.

General Features

- Extremely quiet operation
- Cam and Ramp™ Lid for easy cleaning access and maintenance
- Union fittings for simple replacement
- Heavy-duty, TEFC motor for long life
- See-through lid permits easy inspection of strainer basket
- 1/3 HP (250 Watts) to 1.5 HP (1100 Watts) configurations to accommodate a wide range of applications
- Self-priming for quick, easy start-up
- Cord included for ease of installation
- Large basket to hold debris

Electrical Requirements and Wiring

Electrical installation shall be in accordance with the local wiring codes taking into account its ratings. The pump is supplied with 1.5 m (5 feet) of cord.



A GFCI (Ground Fault Circuit Interrupter) with maximum rated residual current of 30mA is required for the power supply to the pump. Additionally, if a suitable socket outlet is not available a weatherproof socket must be installed by an electrician in a suitable location. GFCI tripping indicates an electrical problem. If GFCI trips and will not reset have a qualified electrician inspect and repair electrical system. Do not use extension leads as they are unsafe in and around the pool area. Incorrect voltage can cause fire or seriously damage pump and voids warranty. Voltage at pump must not be more than 6% above or 10% below motor nameplate rated voltage or pump may overheat, causing overload tripping and reduced component life.

Wiring Installation

Note: Before installing this product, read and follow all warning notices and instructions.



Risk of electrical shock or electrocution.



The AC pump connection must be done by a service professional as described in this manual and all applicable current local regulations. The service professional installer should also be sure the pump motor has sufficient protection. All required pump wiring and AC electrical information is shown on the pump's motor name plate.

BEFORE CONNECTING AC POWER WIRES TO THE PUMP, be sure to switch OFF the main AC power supply.

PUMP GROUNDING: BE SURE TO PERMANENTLY GROUND THE PUMP MOTOR.

Be sure all electrical breakers and switches are turned off before wiring motor.

Choose a wire size from the chart below. When in doubt use a heavier gauge (larger diameter) wire.

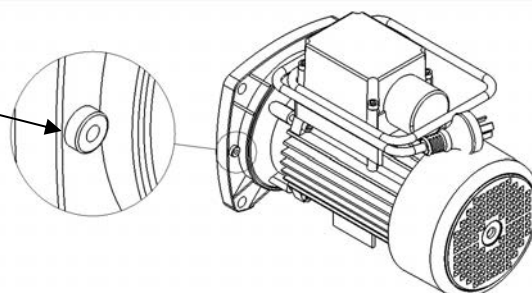
Heavier gauge will allow the motor to run cooler and more efficient. Make sure all electrical connections are clean and water tight. Cut wires to the appropriate length so they don't overlap or touch when connected to the terminal board. Connect the pump permanently to a separate circuit. Be sure no other lights or appliances are on the same circuit.

SUPPLY WIRE SIZES (mm ²)				
(Size and length by Power)				
WATTS	HP	15 m (50 ft.)	30 m (100 ft.)	45 m (150 ft.)
250	1/3	2.5	2.5	4.0
370	1/2	2.5	4.0	6.0
550	3/4	4.0	4.0	6.0
750	1	4.0	6.0	10.0
1100	1.5	6.0	6.0	10.0

This pump is not double insulated to the water circuit.

If equipotential bonding is required by the local codes, connect all metal parts of the swimming pool, spa, or hot tub structure, metal conduit, and metal piping in accordance with the wiring rules (AS/NZS 3000). Run a wire from the equipotential bonding terminal on the pump to the pool bonding structure. Please see diagram below for location of equipotential bonding terminal.

Equipotential Bonding Terminal



Equipotential Bonding Connection

Section 3

Pump Installation

- Install the pump not closer than 1.5m (5 feet) from inside walls of the swimming pool or spa.
- Use a direct and short suction line with continuous slope in order to avoid long priming times.
- The pump should be placed on a flat, solid foundation, high enough to prevent flooding of the motor.
- Install the pump in a sheltered location, ensuring ventilation and adequate access for servicing.
- Do not mount electrical controls directly over pump. Read and fully understand all CAUTIONS on page 4.
- Provide adequate floor drainage to avoid equipment and property damage.
- Size all piping adequately and keep the number of elbows to a minimum.
- Independently support the pipe near the suction and discharge of the pump in order to reduce the strain.
- It is essential that the suction line is free of air leaks. The suction line should always be at least the same size as the suction inlet of the pump.

Section 4

Start / Operation

Starting the pump

- Turn strainer pot lid in a counter-clockwise direction until it opens.
- Fill the strainer pot and volute up to the inlet port with water.
- Reinstall the strainer pot lid by placing the strainer pot lid on the strainer pot. Make sure the lid O-ring is properly placed. Seat the strainer pot lid then turn clockwise until the handle locks. **Hand Tighten only!**
- Open the manual air relief valve on top of the filter. If no manual air relief valve is present, depress the multiport valve handle to relieve the pressure.
- Stand clear of the system and filter. Energize the motor.
- Bleed air from the filter until a steady stream of water comes out.
- Close the manual air relief valve.
- Priming time depends on the suction lift and distance from the pool.
- Five minutes for priming is a reasonable time.
- Pump will not lift more than 1.8 m (6 ft.). If pump does not prime, see troubleshooting guide.

Section 5

Maintenance



Risk of electrical shock or electrocution.



Always disconnect power to the pool pump at the circuit breaker before servicing the pump. Failure to do so could result in death or serious injury to serviceman, pool users or others due to electric shock. Read all servicing instructions before working on the pump.



DO NOT open the strainer pot lid if pump fails to prime or if pump has been operating without water in the strainer pot.



Pumps operated in these circumstances may experience a build up of vapor pressure and may contain scalding hot water. Opening the pump may cause serious personal injury. In order to avoid the possibility of personal injury, make sure the suction and discharge valves are open and strainer pot temperature is cool to touch, then open with extreme caution.

Pump strainer basket unit is in front of the pump housing. Inside the chamber is the basket which must be kept clean of leaves and debris at all times. View basket through the 'See through Lid' to inspect for leaves and debris.

The Pump Strainer Basket



Regardless of the length of time between filter cleaning, it is most important to visually inspect the strainer pot basket at least once a week. A dirty basket will reduce the efficiency of the pump and also put an abnormal stress on the pump motor which could result in a costly repair bill.

1. Turn off motor and relieve pressure in the system.
2. Turn strainer pot lid in a counter-clockwise direction until it opens and then remove the strainer pot lid from the strainer pot.
3. Put the debris from the strainer basket into the trash and rinse out the basket. If the strainer basket is cracked, it should be replaced.
4. Replace the strainer basket. Make sure the strainer basket is properly seated in strainer pot.
5. Fill the strainer pot and volute with water up to the inlet port.
6. Clean the strainer pot lid, O-ring, and sealing surface of the strainer pot. Then grease the O-ring with silicone based lubricant.
7. Reinstall the strainer pot lid by placing the strainer pot lid on the strainer pot. Make sure the lid O-ring is properly placed. Seat the strainer pot lid then turn clockwise until the handle locks. **Hand Tighten only!**
8. Turn the power "ON" at the house circuit breaker. Reset the pool time clock to the correct time.



THIS PUMP OPERATES UNDER HIGH PRESSURE

When any part of the circulating system (e.g., Strainer Pot Lid, Pump, Filter, Valves, etc.) is serviced, air can enter the system and become pressurized. Pressurized air can cause the lid to separate which can result in server injury, death, or property damage. To avoid this potential hazard, follow these instructions.

9. Open the manual air relief valve on top of the filter. If no manual air relief valve is present, depress the multiport valve handle to relieve the pressure.
10. Stand clear of the system and filter.
11. Start pump.
12. Bleed air from the filter until a steady stream of water comes out. Close the manual air relief valve.

Winterizing

1. If the air temperature drops below 2°C (35° F), the water in the pump can freeze and cause damage. Freeze damage is not warrantable.
2. To prevent freeze damage follow the procedures listed below:
 - a. Shut off electrical power for the pump at the house circuit breaker.
 - b. Drain the water out of the pump by removing the two thumb-twist drain plugs and the O rings from the pump housing and one from the strainer pot. Store the plugs and the O rings in the pump basket.
 - c. Cover the motor to protect it from severe rain, snow and ice.
 - d. Do not wrap the motor in plastic. It will cause condensation and rust on the inside of the motor.

Care of Electric Motor

1. Protect from heat.
 - a. Shade the motor from direct sunlight.
 - b. Any enclosure must be well ventilated to prevent overheating.
 - c. Provide ample cross ventilation.
2. Protect against moisture or other elements.
 - a. Protect from any foreign matter or splashing water.
 - b. Do not store (or spill) pool chemicals near the motor.
 - c. If a motor has become wet - let it dry before operating. Do not operate if it has been flooded.
 - d. If a motor has been damaged by water it voids the motor warranty.

Section 6

Troubleshooting

Use the following troubleshooting information to resolve possible problems with your High Performance FreeFlo™ Pump.



Risk of electrical shock or electrocution.

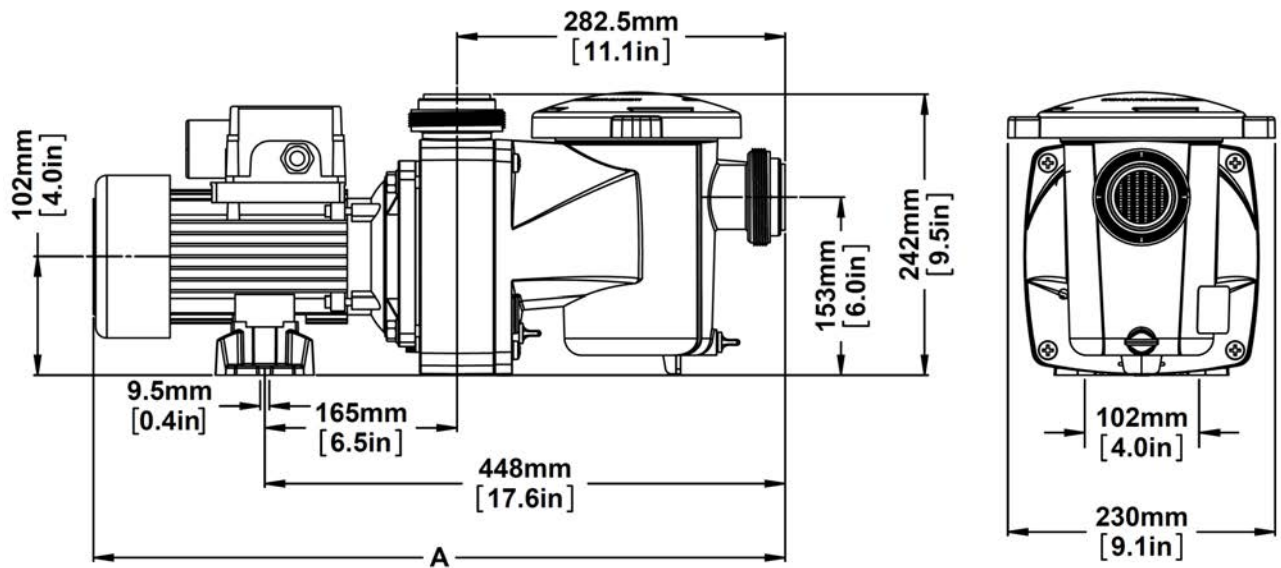


Turn off power to unit prior to attempting service or repair.

Problems and Corrective Actions

PROBLEM	CORRECTIVE ACTIONS
Pump Will Not Prime — too much air	Check suction piping and valve glands on any suction gate valves. Secure pot casing lid on pump strainer pot and make sure lid O-ring is in place. Make sure O-ring on union is OK and is in place. Ensure O-ring on diffuser nose is OK and is in place. Check water level to make sure skimmer is not drawing air.
Pump Will Not Prime — not enough water	Make sure suction lines, pump strainer, and pump volute are full of water. Make sure valve on suction line is working and open, (some systems do not have valves). Check water level to make sure water is available through skimmer.
Pump strainer basket clogged	Clean pump strainer basket.
Pump strainer O - Ring defective	Replace O – Ring.
REDUCED CAPACITY AND/OR HEAD	
Air pockets or leaks in suction line	Check suction piping and valve glands on any suction gate valves.
Clogged impeller	Clean debris from impeller.

Technical Data



OUTPUT POWER		DIMENSION "A"
WATTS	HP	
250W	1/3	540 mm (21.3 in)
370W	1/2	540 mm (21.3 in)
550W	3/4	562 mm (22.2 in)
750W	1	562 mm (22.2 in)
1100W	1.5	600 mm (23.6 in)

Max Working Pressure	260 kPa (37 PSI)
Water Temp. Range	5°C – 35°C (41°F-95°F)
Maximum Ambient temperature	50°C (122°F)
IP Rating	IP55
Electrical Rating	220-240V, 50Hz, Single Phase
Motor	Built in auto reset thermal overload protection.

<p>(I) DICHIARAZIONE CE DI CONFORMITÀ La Ditta Pentair International Sarl dichiara sotto la propria responsabilità che i prodotti sotto indicati sono conformi ai Requisiti Essenziali di Sicurezza e di Tutela della Salute di cui alle Direttive sottoelencate e loro successive modifiche.</p>	<p>(GB) EC DECLARATION OF CONFORMITY The company Pentair International Sarl declares, under its own responsibility, that the below mentioned products are compliant with the relevant Health and Safety standards specified in the listed directives and subsequent amendments.</p>
<p>(F) DECLARATION CE DE CONFORMITE La Société Pentair International Sarl déclare sous sa propre responsabilité que les produits sous-mentionnés sont conformes aux Conditions Essentielles de Sécurité et de Tutelle de la Santé selon les directives indiquées et leurs modifications suivantes.</p>	<p>(D) EG KONFORMITÄTSEKTLÄRUNG Die unterzeichnende Firma Pentair International Sarl erklärt unter eigener Verantwortung, dass die unten aufgeführten Produkte den wesentlichen Sicherheits- und Gesundheitsanforderungen der unten angegebenen Richtlinien in der jeweils geltenden Fassung entsprechen.</p>
<p>(E) DECLARACIÓN CE DE CONFORMIDAD La empresa Pentair International Sarl declara bajo la propia responsabilidad que los productos a continuación indicados cumplen con los requisitos esenciales de seguridad y de protección de la salud establecidos en las directivas indicadas a continuación y posteriores modificaciones.</p>	<p>(P) DECLARAÇÃO DE CONFORMIDADE CE A empresa Pentair International Sarl declara sob a própria responsabilidade que os produtos abaixo indicados estão em conformidade com os Requisitos Essenciais de Segurança e Tutela de Saúde contidos nas Directivas abaixo descritas e sucessivas modificações.</p>
<p>(NL) CONFORMITEITSVERKLARING CE Pentair International Sarl verklaart op eigen verantwoordelijkheid dat de hieronder genoemde producten voldoen aan de essentiële eisen met betrekking tot veiligheid en gezondheid van de onderstaande richtlijnen en latere wijzigingen.</p>	<p>(DK) EF-OVERENSSTEMMELSESEKTLÆRING Undertegnede firma Pentair International Sarl erklærer hermed under ansvar, at nedennævnte produkter er fremstillet i overensstemmelse med de Væsentlige Sundheds- og Sikkerhedskrav, der er anført i de nedenundernævnte direktiver og deres efterfølgende ændringer.</p>
<p>(S) TILLKÄNNAGIVANDE OMEU-ÖVERENSSTÄMMELSE Företaget Pentair International Sarl intygar under sitt eget ansvar att de nedan indikerade produkterna överensstämmer med de hälso- och skyddsnormer som specificeras i de nedanstående direktiven med senare tillägg.</p>	<p>(N) SAMSV ARSERKLÆRING Firmaet PENTAIR INTERNATIONAL S.a.r.l. erklærer, under eget ansvar, at de elektriske pumpe nevt nedenfor, samsvarer med helse- og sikkerhedsstandardene i direktivene gjengitt nedenfor.</p>
<p>(FIN) EU-VAATIMUSTENMUKAISUUSVAKUUTUS Yhtiö Pentair International Sarl ilmoittaa omalla vastuullaan, että alla osoitetut tuotteet ovat oleellisten turvallisuus- ja terveysuojeluvuutamusten mukaisia, joista alla luetelluissa direktiiveissä sekä niiden myöhemmissä muutoksissa.</p>	<p>(GR) ΔΗΛΩΣΗ ΠΡΟΣΑΡΜΟΓΗΣ ΕΟΚ Η εταιρεία Pentair International Sarl δηλώνει υπεύθυνα ότι τα παρακάτω προϊόντα έχουν κατασκευαστεί σύμφωνα με τις Βασικές Απαιτήσεις Ασφαλείας και Προστασίας της Υγείας των παρακάτω Οδηγιών και επακόλουθων τροποποιήσεών τους.</p>
<p>(PL) DEKLARACJA ZGODNOŚCI Z UE Firma Pentair International Sarl deklaruje pod własną odpowiedzialnością, że wskazane poniżej produkty odpowiadają podstawowym Wymogom Bezpieczeństwa i Ochrony Zdrowia stawianym przez wymienione poniżej Dyrektywy i ich kolejne modyfikacje.</p>	<p>(RO) DECLARAȚIE CE DE CONFORMITATE Firma Pentair International Sarl declară pe propria ei răspundere că produsele indicate mai jos sunt în conformitate cu Normele de Siguranță și de Tutela Sănătății, în baza directivelor menționate mai jos și a succesivelor lor modificări.</p>
<p>(H) EURÓPAI UNIÓS MEGFELELÉSI NYILATKOZAT A Pentair International Sarl cég saját felelősségére kijelenti, hogy az alább megjelölt termékek megfelelnek az alapvető biztonsági és egészségvédelemi követelményeknek, melyekre az alábbi többször módosított irányelvek vonatkoznak.</p>	<p>(CZ) PROHLÁŠENÍ ES O SHODĚ Firma Pentair International Sarl zodpovědně prohlašuje, že níže uvedené výrobky jsou ve shodě s předpisy o Bezpečnosti práce a ochraně zdraví podle níže uvedených směrníc směrníc a následujících změn.</p>
<p>(TR) AT UYGUNLUK BILDİRİSİ Pentair International Sarl firması kendi sorumluluğu altında asagidaki elektropomplarn Güvenlik ve Saglik Koruma Şartlarina, sayili direktiflere ve sonraki deęişmelere göre, uygun olduęunu bildirir.</p>	<p>(RUS) ЗАЯВЛЕНИЕ О СООТВЕТСТВИИ СТАНДАРТАМ CE Фирма Pentair International Sarl заявляет под свою ответственность, что нижеуказанные изделия соответствуют основным требованиям по охране здоровья и безопасности труда, в частности, требованиям перечисленных ниже директив и их последующих поправок.</p>
<p>(BG) ЕО ДЕКЛАРАЦИЯ ЗА СЪОТВЕТСТВИЕ Фирмата Pentair International Sarl декларира на своя собствена отговорност, че споменатите по-долу продукти са в съответствие със съответните стандарти за безопасност и здраве, посочени в изброените директиви и последващи изменения.</p>	<p>(EE) VASTAVUSE TUNNISTUS Ettevõtte Pentair International Sarl kuulutab, oma vastutusel, et allpool mainitud tooted vastavad Tervishoiu ja Ohutuse standarditele, mis on täpsustatud loendatud direktiivides ja järgnevatel parandustes.</p>
<p>(GA) DEARBHÚ COMHRÉIREACHTA UM CE Dearbhaíonn an chuideachta Pentair International Sarl, faoi bhun a fhreagrachta féin, go bhfuil na táirgí thíosluaite i gcomhréir leis na caighdeáin Sláinte agus Sábháilteachta arna sonrú sna treoracha sa liosta agus sna leasuithe ina dhiaidh sin.</p>	<p>(LV) EK ATBILST ĪBAS SERTIFIKĀTS Uzņēmums Pentair International Sarl paziņo uzņemoties atbildību, ka zemāk minētie produkti ir atbilst attiecīgajiem Veselības un drošības standartiem, kas noteikti uzskaitītajās direktīvās un sekojošos labojumos.</p>
<p>(LT) EB ATITIKTIES DEKLARACIJA Įmonė „Pentair International Sarl“ išskirtinai savo atsakomybe pareiškia, kad žemiau minimi gaminiai atitinka atitinkamus Sveikatos ir Saugos standartus, nurodytus išvardytose direktyvose bei tolesnėse pataisose.</p>	<p>(MT) EB ATITIKTIES DEKLARACIJA Il-kumpanija Pentair International Sarl tidikjara, fuq responsabilità tagħha stess, li l-prodotti msemmija hawn isfel huma konformi mal-istandards rilevanti dwar is-Sa'a u s-Sigurtà kif speifikat fid-direttivi elenkati u sussegwenti emendi.</p>
<p>(SK) VYHLÁSENIE EHS O ZHODE Firma Pentair International Sarl prehlasuje na vlastnú zodpovednosť, že nasledovné výrobky spĺňajú predpisy Bezpečnosti o ochrane zdravia pri práci podľa nižšie uvedených smerníc v znení neskorších úprav.</p>	<p>(SLO) ES IZJAVA O SKLADNOSTI Podjetje Pentair International Sarl z vso odgovornostjo izjavlja, da so spodaj navedeni proizvodi skladni z bistvenimi zahtevami varnosti in varovanja zdravja, navedenimi v spodaj navedenih direktivah in njihovih kasnejših spremembah.</p>

FFL-031
FFL-051
FFL-071
FFL-101
FFL-151



DIRECTIVES:
2006/42/EC
2006/95/EC
2004/108/EC

HARMONIZED STANDARDS:
EN 809
EN 60335-1
EN 60335-2-41
EN 61000-6-3
EN 61000-6-1
EN 55014
EN 60555

09

Pentair Water (Suzhou) Co., Ltd.
371 He Shan Rd
Suzhou, JiangSu
China
+86 512 66617690 Direct
www.pentair.com

Jonah Shen
PLANT MANAGER
Suzhou (China), 17/07/2013

SAVE THESE INSTRUCTIONS



Copyright – Limited License: except as specifically permitted herein, no portion of the content on this document may be reproduced in any form or by any mean without the prior written permission of Pentair.

Copyright – Eingeschränkte Lizenz: soweit hierin nicht ausdrücklich zugelassen, dürfen die Inhalte dieses Dokuments ohne vorausgehende schriftliche Genehmigung der Pentair weder ganz noch auszugsweise und in gleich welcher Form und mit welchen Mitteln vervielfältigt werden.

Copyright – Beperkte licentie: behalve zoals hierin specifiek toegestaan, mag geen enkel deel van de inhoud van dit document op om het even welke manier of hoe dan ook gereproduceerd worden zonder de voorafgaande schriftelijke toestemming van Pentair.

Copyright – Licence limitée: sauf expressément autorisé ci-après, aucune partie du contenu de ce document ne peut être reproduite sous toute forme ou par tout moyen sans la permission écrite préalable de Pentair.

Copyright – Licencia limitada: salvo en lo expresamente permitido en el presente documento, se prohíbe la reproducción total o parcial del mismo por cualquier medio sin la previa autorización por escrito de Pentair.

Copyright – Licenza limitata: se non indicato specificatamente di seguito, nessuna porzione del contenuto di questo documento può essere riprodotta in qualsiasi forma o con qualsiasi mezzo senza preventiva autorizzazione scritta di Pentair.