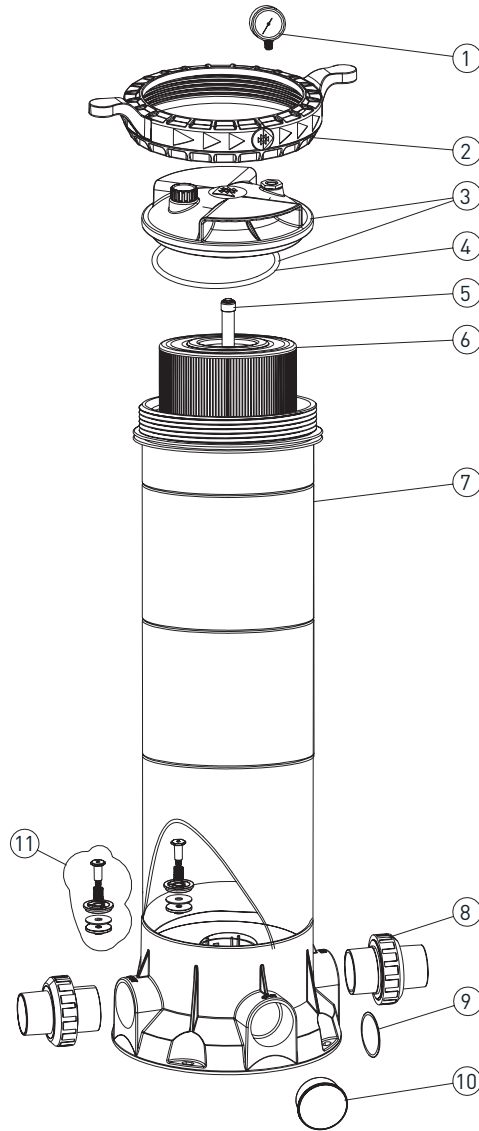


# FREEFLO CARTRIDGE FILTERS

## REPLACEMENT PARTS



Item	Part No.	Description
<b>FREEFLO CARTRIDGE FILTERS</b>		
1	800741	Pressure Gauge With O-ring (40psi) plus adapter
2	800742	Air Release Valve with o-ring
3	800743	Ring Lock for cartridge filter
4	800744	Cartridge filter Lid
5	800745	O-Ring for Lid
6	800746	FFCF75 PVC Air Vent Pipe With Cover
6	800747	FFCF100 PVC Air Vent Pipe With Cover
6	800748	FFCF150 PVC Air Vent Pipe With Cover
6	800749	FFCF200 PVC Air Vent Pipe With Cover
7	800750	FFCF75 Element
7	800751	FFCF100 Element
7	800752	FFCF150 Element
7	800753	FFCF200 Element Kit (2 elements included)

Item	Part No.	Description
8		Cartridge filter body not available as spare part
9	800754	1.5" Union for Cartridge filters
11	800755	2.0" Union for Cartridge filters
12	800756	Plug
13	800757	Internal Pressure Relief Valve