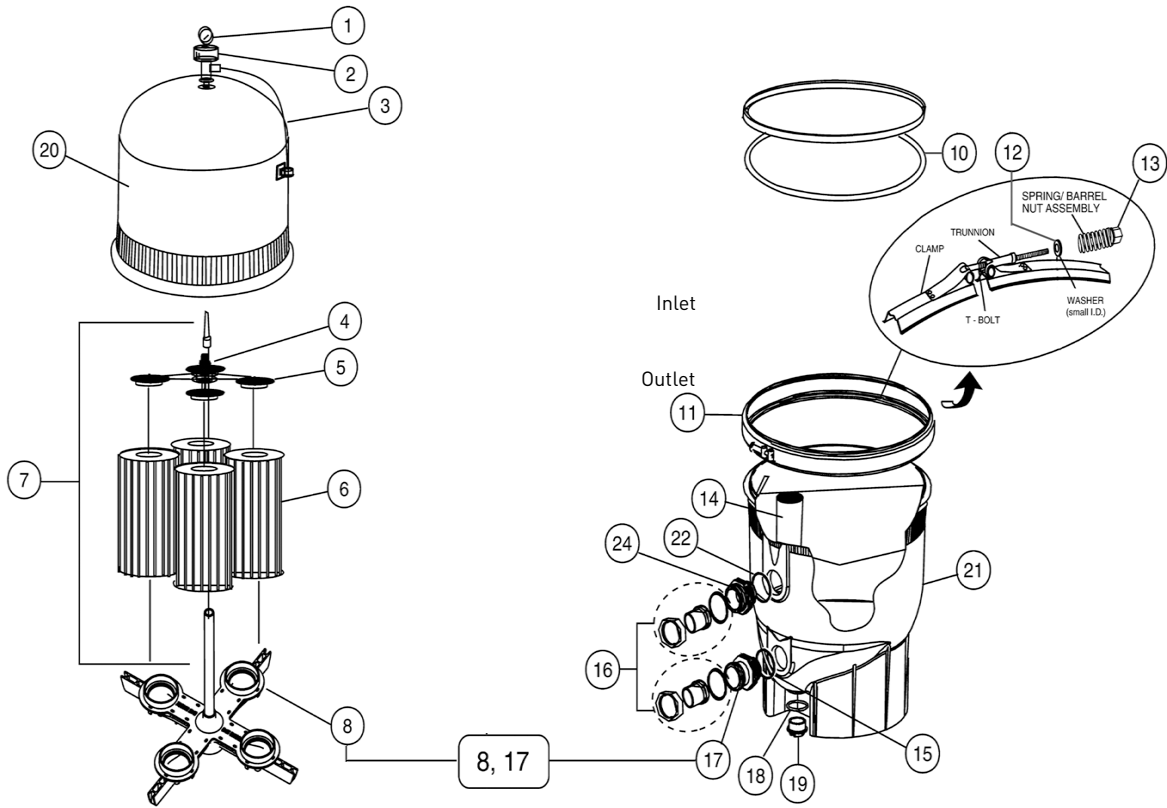


CLEAN & CLEAR® PLUS FILTERS

REPLACEMENT PARTS FOR FIBERGLASS REINFORCED POLYPROPYLENE TANK



Item	Part No.	Description
CLEAN & CLEAR PLUS FILTERS		
1	190058	Gauge, pressure, 1/4 in.
2	98209800	High Flow manual air relief valve, HFMARV
4	178616	Spring, compression ²
5	170026	Manifold, top assembly, 240 sq. ft. ²
5	170027	Manifold, top assembly, 320, 420 & 520 sq. ft. ²
6	R173572	Cartridge element, 240 sq. ft., 4 req.
6	R173573	Cartridge element, 320 sq. ft., 4 req.
6	R173576	Cartridge, 420 sq. ft., 4 req. ²
6	R173578	Cartridge, 520 sq. ft., 4 req. ²
7	170030	Air bleed tube assembly, 240 sq. ft.
7	170029	Air bleed tube assembly, 320 sq. ft. ²
7	170028	Air bleed tube assembly, 420 sq. ft. ²
7	178583	Air bleed tube assembly, 520 sq. ft. ²
8	170040	Manifold, bottom ⁴
10	39010200	O-ring, clamp
11	190003	Clamp kit, tension control
12	53006300ZZ	Washer, .325 i.d. for filter clamp
12	195610	Washer, sm. i.d.

Item	Part No.	Description
13	53108900	Spring/barrel nut assembly
14	190039	Baffle, bulkhead assembly ²
15	86006900	O-ring, bulkhead, lower
16	270004	Bulkhead union, 1-1/2 in. x 2 in., set, black ²
16	270100	2 in. Adaptor kit, 2 in. x 2-1/2 in set, black ⁸
17	170035	Pipe assembly, outlet/manifold, bottom (includes bulkhead 178575 and O-rings 86006900 & 3544571) ²
18	51005000	O-ring for drain plug ²
18	191474	O-ring for drain plug ⁸
19	86202000	Plug, 1-1/2 in. drain with O-ring ²
19	190030	Cap plug ⁸
20	59020700	Tank, lid assembly, 240 sq. ft.
20	59055300	Tank, lid assembly, 320 sq. ft.
20	59055400	Tank, lid assembly, 420 sq. ft. ²
20	59055500	Tank, lid assembly, 520 sq. ft. ²
21	190090	Tank, bottom assembly ²
22	192320	O-ring, bulkhead, upper ²
22	86006900	O-ring, bulkhead, upper & lower ^{1,7}
23	195339	SS back-up ring ⁵
24	194801	Bulkhead, 2-3/8, 8 buttress thread ²