



# REBEL<sup>®</sup> 2

## AUTOMATIC VACUUM POOL CLEANER

Owner's Manual



### **IMPORTANT**

Please read and follow all instructions carefully. Failures caused by incorrect installation or operation are not covered by the warranty.

## CUSTOMER SERVICE / TECHNICAL SUPPORT

---

If you have questions about ordering Pentair Aquatic Systems replacement parts and pool products, please contact:

### Customer Service and Technical Support, Australia

(8 A.M. to 5 P.M. – Eastern Standard Time)

Phone: 1300 137 344

Fax: 1800 006 688

### Web site

Visit [www.pentairpool.com.au](http://www.pentairpool.com.au)

## TABLE OF CONTENTS

---

<b>Important Warning and Safety Instructions</b> .....	ii	<b>Maintenance</b> .....	6
<b>Pool Preparation</b> .....	1	Removing Debris from the Turbine	6
Cleaner Components	1	Tire Replacement	7
<b>Assembling the Cleaner</b> .....	2	<b>Troubleshooting</b> .....	8
Hose Assembly	2	<b>Replacement Parts</b> .....	9
<b>Installing the Cleaner</b> .....	3		
Standard Installation	3		
Flow Gauge Instructions	4		
Calculating Cleaner Speed [RPM] Without the Flow Gauge	4		
<b>Cleaner Adjustments and Operation</b> .....	5		
Hose Length	5		
Eyeball Diverter Positions	5		

## IMPORTANT WARNING & SAFETY INSTRUCTIONS



### Important Notice:

**Attention Installer:** This guide contains important information about the installation, operation and safe use of this product. This information should be given to the owner and/or operator of this equipment after installation of the pool cleaner.

**Attention User:** This manual contains important information that will help you in operating and maintaining this pool cleaner. Please retain it for future reference. Consult Pentair with any questions regarding this equipment.

**⚠ WARNING** Before installing this product, read and follow all warning notices and instructions which are included. Failure to follow safety warnings and instructions can result in severe injury, death, or property damage. Call 1300 137 344 for additional free copies of these instructions.

### Consumer Information and Safety

This pool cleaner is designed and manufactured to provide many years of safe and reliable service when installed, operated and maintained according to the information in this manual. Throughout the manual, safety warnings and cautions are identified by the "⚠" symbol. Be sure to read and comply with all of the warnings and cautions.

#### ⚠ WARNING



#### HAZARDOUS SUCTION.

Do not play with cleaner or hose or apply to body. Can trap and tear hair or body parts. Hose can trip or entangle swimmers which could result in drowning.

#### ⚠ WARNING



#### SUCTION ENTRAPMENT, INJURY, AND DROWNING HAZARD.

If your pool has a dedicated suction port ("vac port") for vacuuming or for an automatic pool cleaner, it must be covered when not in use. A spring loaded safety cover ("vac port fitting") is included with your cleaner. Install it on the suction port to prevent entrapment and injury. If the cover provided does not fit, purchase one that does from your local pool store and install it instead. The cover should conform to IAPMO SPS4-99A.

#### ⚠ WARNING

**Stop pump** before attempting to clean unit. Do not allow swimmers in pool while pool cleaner is operating.

#### ⚠ WARNING

To reduce the risk of injury, do not let children use or play with pool cleaner.

#### ⚠ WARNING

Do not allow swimmers in the pool while pool cleaner is operating. Hose can trip or entangle swimmers which could result in drowning.

#### ⚠ CAUTION

Moving parts may injure hands or fingers. Stop pump before attempting to clean out pool cleaner head.

### General Installation Information

#### Pre-Installation Check List

Before installing your cleaner, review and understand all warnings and safety information in this guide. Failure to follow these instructions or improper installation of the cleaner can result in damage to the pool finish or the vinyl liner, Pentair Water Pool and Spa, Inc. disclaims any liability for repairs or replacement to any of these structures or components of the customer's pool.

#### Before installing the cleaner in a vinyl liner pool:

Check liner closely for signs of deterioration or damage from age, chemicals, pool wall damage, etc. If any damage is found, have a qualified pool professional make all the necessary repairs. Also, if there are stones, roots, etc., under the liner, remove them before installing the cleaner.

#### Before installing the cleaner in a gunite pool or a pool that is partially or completely tiled:

Repair loose tiles and tighten any loose light rings.

#### Before installing the cleaner, clean your filter system:

Make sure you have cleaned the filter, including backwashing, rinsing, and emptying all baskets. A clean system is necessary for proper cleaner operation and coverage.

#### Before installing the cleaner, understand cleaner coverage:

The cleaner is designed to rid your pool of debris in approximately 4-6 hours. Less time could be needed, depending on the pool size. The cleaner was not designed to automatically clean steps or swimouts or to work under a solar cover. It was also not designed to do initial cleanup for a new pool or when opening your pool for the season.

#### AFTER installing the cleaner, make sure the cleaner is operating correctly:

The cleaner may need some minor adjustments to make sure it is operating properly so there is no damage to the pool finish. Certain vinyl liner patterns are particularly susceptible to surface wear, pattern removal, ink rubbing off of, or serious scratches to the pattern caused by objects coming into contact with the vinyl surface, including automatic pool cleaners. Pentair Water Pool and Spa, Inc. is not responsible for any pattern removal, abrasions or markings on vinyl liners.

# IMPORTANT WARNING & SAFETY INSTRUCTIONS

## Disclaimer of Liability About your Pool and Cleaner

There are a multitude of factors that contribute to the life of your pool. The pool cleaner is a very passive product that will have no impact on pool life.

Please be aware that over time, deterioration, discoloration and brittleness of any pool finish can be caused separately by, or in combination with, age, an imbalance in pool water chemistry, improper installation and other factors. Suction side pool cleaners, such as the pool cleaner, will not remove or cause wear on "good" pool plaster. In fact, the opposite is true—pool plaster will eventually cause wear on the cleaner.

The same situation holds true for vinyl-lined in-ground swimming pools, because vinyl liners are also affected by the environment and factors such as pool water chemistry, sunlight and the pool's surroundings. Therefore over time, vinyl can become brittle and weak. In addition, vinyl-lined pools are affected by the workmanship, composition and installation of the liner and the workmanship and quality of construction of the supporting walls and pool base. These are all factors which can contribute to liner failure. The existence of any of these type of conditions in your pool is not caused by the use or operation of the pool cleaner. The manufacturer disclaims any liability for repairs or replacement to any of these structures or components of the customer's pool.

The pool owner must assume all responsibility for the condition and maintenance of the pool's surface, water and deck.

Before the cleaner is installed, please take a moment to record the serial number. This number is located under the rear handle of your cleaner. You will be asked for this number when you contact our Technical Support Department.

SERIAL # \_\_\_\_\_

## SAVE THESE INSTRUCTIONS

## POOL PREPARATION

### Pool Preparation

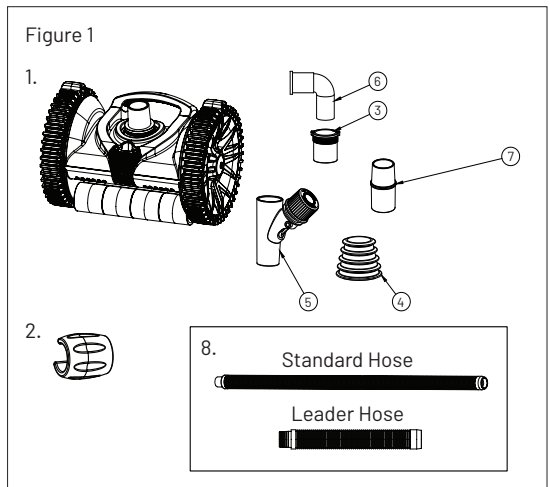
Before installing the Rebel™ Suction side pool cleaner, your pool should be clean and algae-free so as to not inhibit the cleaner's traction. If necessary, make the following preparations before proceeding:

1. Chemically balance the pool water.
2. Brush pool and let the debris settle.
3. Hand vacuum thoroughly.
4. Clean filter and pump strainer basket.

### Cleaner Components

Remove the cleaner and all parts from the box. Check to be sure all components are included.

1. Rebel™ cleaner body
2. Hose float
3. Threaded Adaptor
4. Reducer Cone
5. Regulator valve
6. Elbow
7. Flow gauge
8. Hose Set - 11 Sections
  - 10 Standard Hoses
  - 1 Leader Hose



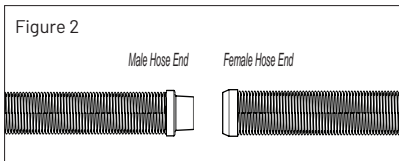
## ASSEMBLING THE CLEANER

The Rebel® 2 Automatic vacuum pool cleaner body is shipped as one piece, making cleaner assembly a simple and quick process.

### Hose Assembly

For best results and to maintain proper operation, use only original Pentair parts and hoses.

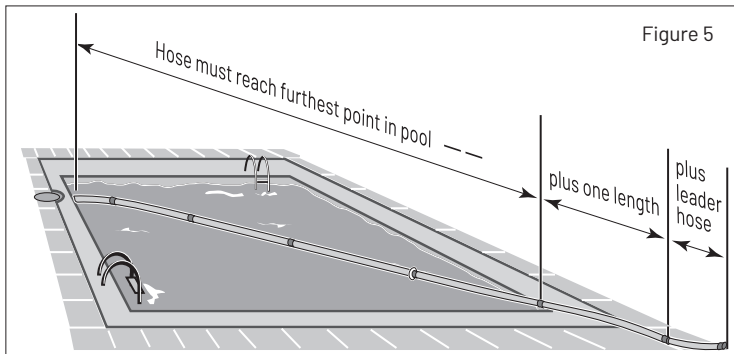
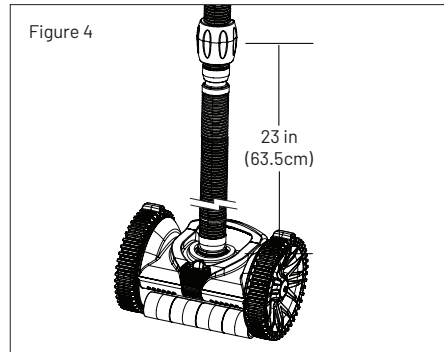
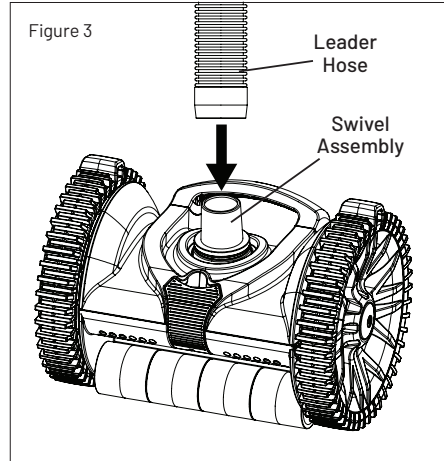
1. To connect the hose sections, wet the ends in the pool water, then twist and push the female ends onto the male ends.



2. Connect the leader hose to the cleaner swivel. See **Figure 3**.

**Note:** The leader hose is 50 centimeters in length and shorter than the other sections included in the hose set. The leader hose is also marked with a red sticker. Failure to use this leader hose section will hinder cleaner performance

3. The hose should reach from where the cleaner is connected to the farthest point of the pool, plus one section and the leader hose.
4. Install the hose float onto the second length of hose. The float should be placed 63.5cm above the cleaner. See **Figure 4**.
5. Make sure that all connections are snug.
6. The overall length of hose needed will be determined by the distance from the point at which you attach the hose to the suction port to the furthest point in the pool, plus one length and the leader hose. Refer to **Figure 5**.



## INSTALLING THE CLEANER

### Standard Installation

1. Turn the pool pump off.
2. Close the main drain.
3. Connect the hose to the skimmer vac plate as per below instructions:



### Waterco Skimmer Box

Screw in the threaded adaptor from the top of the skimmer plate.

### Poolrite Skimmer Box

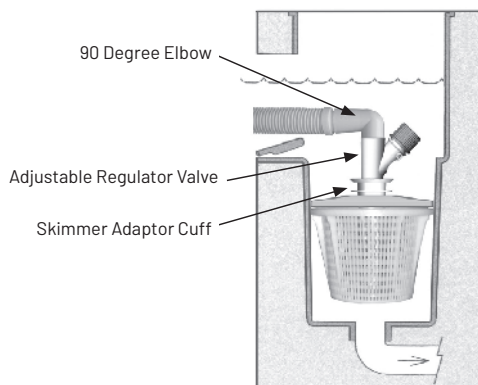
Screw in the threaded adaptor from the bottom of the skimmer plate.

### Quipton Skimmer Box

Screw in the threaded adaptor from the top of the skimmer plate.

### Different brands of skimmer box

Attach; Skimmer adaptor cuff into skimmer plate, then attach Adjustable regulator valve and 90 Degree elbow to skimmer plate. Then connect one end of submerged hose into the 90 Degree elbow.

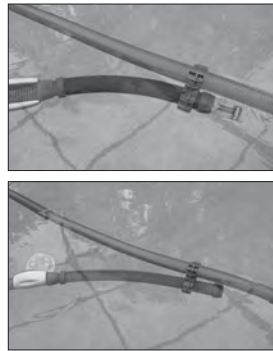
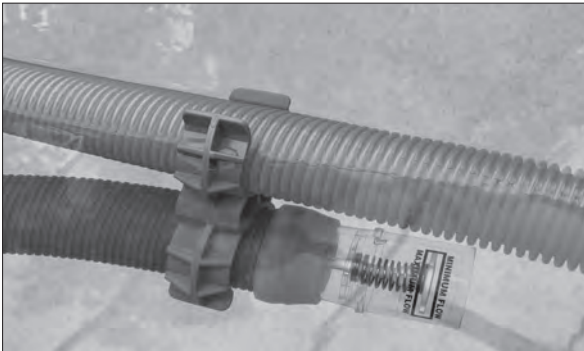


## INSTALLING THE CLEANER

### Flow Gauge Instructions

The Flow gauge is used to fine-tune the performance of your Pentair in-ground, suction side Automatic pool cleaner. We recommend that the Flow gauge be used periodically to check for proper water flow so that your Pentair Automatic pool cleaner performs at its best.

- |  |  |
|--|--|
| <p>Step 1 Clean your filtration system, skimmer basket, and pump strainer basket.</p> <p>Step 2 With the pool pump in the off position, insert the Flow gauge to the Hose cuff end of the Leader hose. This is the same end that connects to the Automatic pool cleaner.</p> <p>Step 3 Attach one end of the Double C clip to the leader hose closes to the Flow gauge.</p> <p>Step 4 Attach the other end of the Double C clip to the first hose section.</p> <p>Step 5 After making sure that the hose and Flow gauge are submerged below the water level, turn the pump on.</p> | <p>Step 6 Adjust the water flow so that the indicator lines up between the "Min" and "Max" markings of the Flow gauge.<br/>Refer to the Installation Manual of your Automatic Pool Cleaner for instructions on using either the valves in the filter system or the Pentair Regulator valve to adjust the water flow.</p> <p>Step 7 Turn off the Pump and remove the Flow gauge and Double C clip.</p> <p>Step 8 Install the Automatic pool cleaner onto the Leader hose.</p> |
|--|--|



### Calculating Cleaner Speed (RPM) Without the Flow Gauge

If you do not have the flow gauge originally included with your cleaner, following the steps below will allow you to calculate the cleaner speed and adjust RPM as needed.

- While the cleaner is running, bring the cleaner up to just beneath the pool's water surface.  
**Note:** Be sure to keep the cleaner submerged while the pump is operating. This prevents the cleaner from pulling air into the pool system.
- Count the number of full rotations made by the wheel over a period of one minute. The number of rotations will give you the revolutions per minute; or RPM's. An easy way to be sure you are counting full rotations is by counting the number of times the wheel hump passes by the swivel assembly.
- For proper performance, the Rebel® 2 cleaner operates between 16-18 RPM.  
If the RPM is below 16 adjust the regulator valve (rotate adjustment knob clockwise) and repeat steps 1-2 until the RPM falls back into the optimal range. If the RPM is higher than 18 adjust the regulator valve (rotate adjustment knob counterclockwise) and repeat steps 1-2 until the RPM falls back into the optimal range.



## CLEANER ADJUSTMENTS & OPERATION

After installation, turn the pool pump on. The Rebel<sup>®</sup> 2 Suction Side Pool Cleaner should be moving about the pool at a rate of 8-9metres per minute. Be sure to check each of the following initial adjustments.

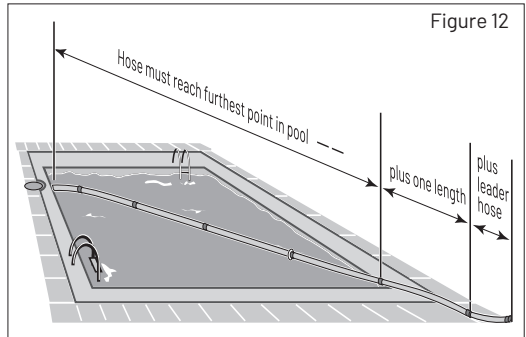
### Hose Length

**Note:** The pump must be on when you check the hose length. The hose contracts when the pump is operating and will be longer when the pump is off.

While the cleaner is operating:

1. Position cleaner at the furthest point of the pool from where it's attached. Use a pool pole and brush to easily position the cleaner in the pool.
2. The hose should be long enough to reach the end of the pool, plus one hose section and the leader hose. See Figure 12 .
3. Remove any excess hose lengths from the middle of the hose assembly. This will ensure you do not alter the position of the hose float.
4. Save extra hose sections for use as needed for replacement.

**Note:** Turn pool pump off when adding or removing hose sections.



### Eyeball Diverter Positions

Position the diverter opening to redirect the return line water flow so it does not interfere with the cleaner's movement. Try different positions to see which works best in your pool:

- flow directed along the side of pool (the tile line).
- flow directed downward.
- flow directed against the hose will help steer the cleaner away from obstructions such as stairs and ladders.

After installing the eyeball diverter, turn the pool pump on. The cleaner should begin moving across the pool floor vacuuming up debris in its path.

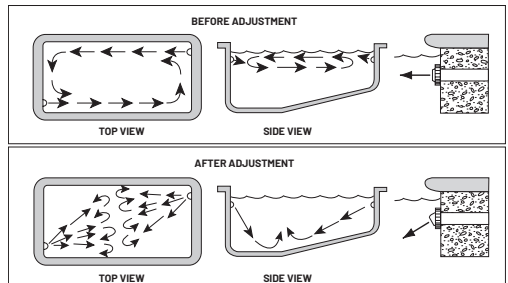


Figure 13

## MAINTENANCE

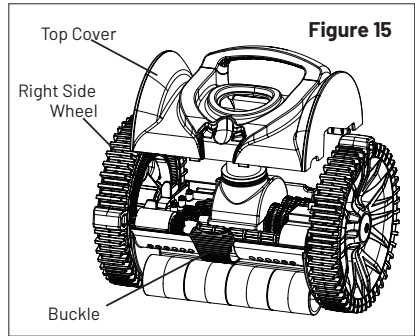
The cleaner requires almost no maintenance. Visually inspect your cleaner from time to time to make sure that:

- The turbine is moving freely and is not obstructed by debris. See "Removing Debris from the Turbine" below.
- The tires are not excessively worn. See **Figure 18** on the next page.

We recommend that you leave the cleaner in your pool, except during chemical shock treatments.

- During swimming it is easy to unplug the cleaner and pull it to one side.
- When storing the cleaner, do not coil the hose. Lay the hose flat in an area protected from direct sunlight.

This cleaner's hose is specially designed to ensure optimum cleaner performance. Should replacement be required, insist on genuine Pentair cleaner hose.



Removal of Top Cover

### Removing Debris from the Turbine

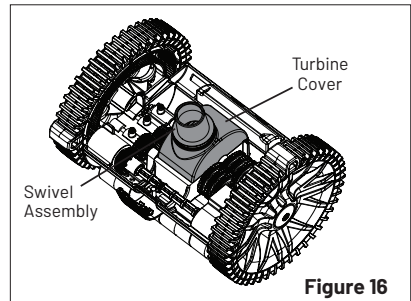
1. Be sure the pool pump is off. Remove the cleaner from the pool and disconnect the cleaner from the leader hose.
2. Check to see if anything is clogged inside the cleaner. Do this by positioning the cleaner with the buckle facing you and attempt to rotate the right side wheel forward. If the wheel rotates smoothly there probably is no obstruction. If it won't rotate there is an obstruction.

3. Place the cleaner on a flat work surface. Open the buckle on the front of the cleaner by pulling it out and down.

Lift the front of the top cover up and then firmly pull it forward. This will separate the top cover from the cleaner body and you will now be able to lift the top cover straight up from the cleaner body (see **Figure 15**). Set the cover aside.

**Note:** The top cover is designed to fit tightly so you may have to wiggle it a little.

4. Pull the turbine cover straight up and off of the cleaner body. Set the turbine cover aside. See **Figure 16**.
5. Remove any visible obstructions from the turbine and turbine cover.
6. Replace the turbine cover with the swivel assembly oriented towards the front of the cleaner. See **Figure 16**.
7. Visually inspect the rest of the cleaner and remove any debris that may be in the gears, drive shafts, swivel assembly, etc.
8. Repeat **step 2 (turning the right wheel)** to insure that the cleaner runs smoothly.
9. Place the top cover over the swivel assembly.
10. Place the tabs on the back side of the top cover into the slots on the back side of the cleaner body (see **Figure 17**). Once these tabs are seated in the slots the front of the cover will fall into place.
11. Lock the top cover onto the cleaner body with the locking buckle on the front of the cleaner.



Swivel Assembly and Cleaner Internals

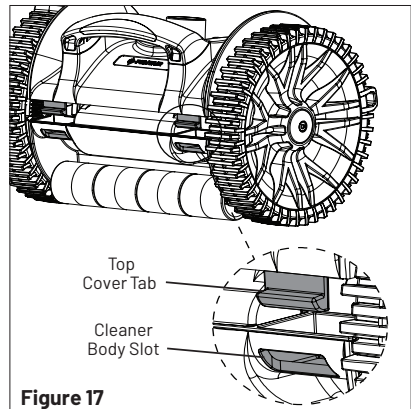


Figure 17

Cover Tabs and Corresponding Body Slots

## MAINTENANCE

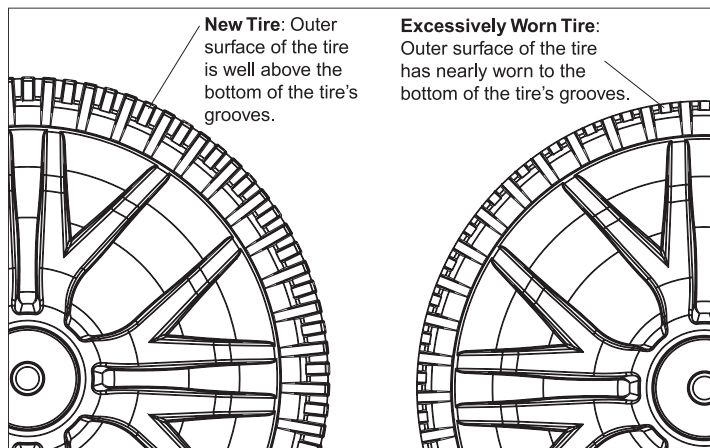
### Tire Replacement

After prolonged use it may become necessary to replace the cleaner's rubber tires. When the tire surface has worn into the tire's grooves the tire is in need of replacement. See **Figure 18**.

#### To remove the cleaner tire:

1. Turn the pool pump off and remove the cleaner from the pool.
2. Disconnect the cleaner from the leader hose.
3. Place the cleaner on a flat work surface and fold the tire off of the wheel from top to bottom.

**Note:** Remove the tire by hand. Using other objects (screwdrivers, Allen keys, etc.) to remove the tire may damage the wheel.



**Figure 18**

#### To install the replacement tire:

1. Place the cleaner on a flat work surface and seat the top of the rubber tire onto the top of the wheel. Be sure that the back lip of the tire is resting flat on the inside edge of the wheel.

**Note:** Replace the tire by hand. Using other objects (screwdrivers, Allen keys, etc.) to replace the tire may damage the wheel.

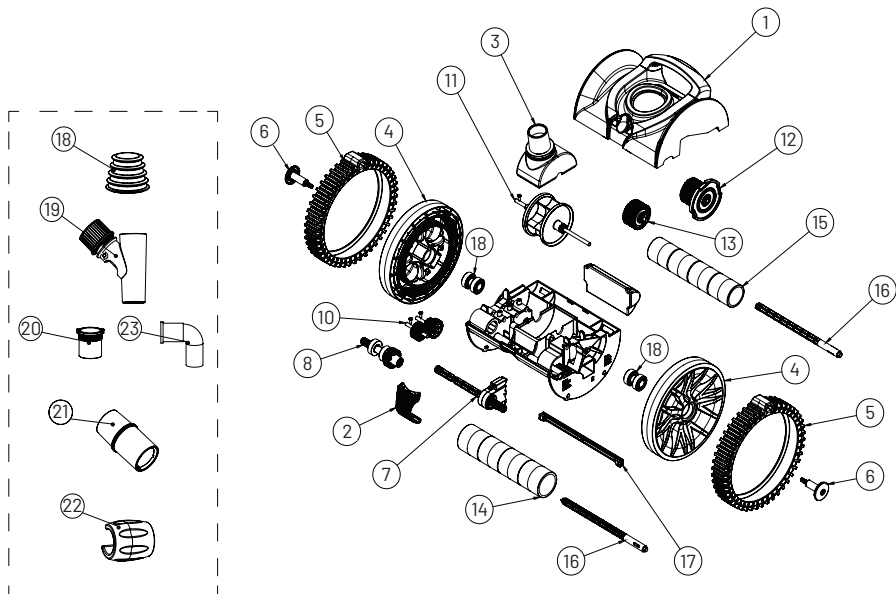
2. Stretch the bottom of the tire over the bottom of the wheel. Be sure that the back lip of the tire is resting flat on the inside edge of the wheel.
3. Fold the back lip of the tire onto the back of the cleaner wheel along the entire cleaner wheel. The tire should lie flat on the top surface of the wheel.

## TROUBLESHOOTING

Because of the individual characteristics of your pool, some additional adjustments may be required to get the best performance from your cleaner. Use the following information to resolve possible issues.

PROBLEM	CORRECTIVE ACTION
<p><b>Cleaner is not moving or is moving too slowly.</b></p>	<p>Check flow with flow gauge included or by calculating the cleaner RPM and adjust the flow if necessary using the regulator valve. See page 4.</p> <p>Check for debris inside the cleaner itself. See page 6.</p> <p>Check to be sure the pump has primed. Check for leaks in the system that may prevent proper priming.</p> <p>There may not be enough flow through the system. The filter may need backwashing.</p> <p>Check to be sure that the main drain and all suction lines are closed, except for the vacuum or suction line to which the cleaner is attached.</p> <p>Check for obstructions in the system (e.g. debris in the filter, pump basket or pump impeller).</p> <p>Pool pump and filter system may be too small to provide proper water flow. Consult your pool professional.</p>
<p><b>Cleaner's right wheel will not turn when rotated by hand.</b></p>	<p>Check for obstructions inside the cleaner itself. See page 6.</p>
<p><b>Cleaner stays in one end of the pool.</b></p>	<p>Check flow with flow gauge included or by calculating the cleaner RPM and adjust the flow if necessary using the regulator valve. See page 4.</p> <p>Check the return line water flow and redirect as necessary. See page 5.</p> <p>Check that hose is long enough to reach the furthest point in the pool. See page 5.</p> <p>Check for proper hose float placement. The float may be in the wrong position. See page 2.</p> <p>Be sure that the swivel assembly (at top of cleaner) rotates smoothly. If not, the swivel assembly may be dirty and require cleaning.</p>
<p><b>Cleaner climbs the wall too much or climbs out of pool.</b></p>	<p>Check flow with flow gauge included or by calculating the cleaner RPM and adjust the flow if necessary using the regulator valve. See page 4.</p>
<p><b>Cleaner won't climb the pool walls.</b></p>	<p>Check to be sure that the cleaner tires are not excessively worn. See page 7. Excessively worn tires will not provide the grip necessary for your cleaner to climb pool walls.</p> <p>Check flow with flow gauge included or by calculating the cleaner RPM and adjust the flow if necessary using the regulator valve. See page 4.</p> <p>Check to be sure that the leader hose has been installed and is in the correct location. See page 2.</p> <p>Check for proper hose float placement. The float may be in the wrong position. See page 2.</p>
<p><b>Cleaner stays on the main drain.</b></p>	<p>Check to be sure that main drain is closed. May need assistance from a pool professional.</p> <p>Check to be sure a main drain grate is installed.</p>
<p><b>Cleaner falls on its side and takes too long to recover.</b></p>	<p>Check for proper hose float placement. The float may be in the wrong position. See page 2.</p> <p>Check to be sure that the leader hose has been installed and is in the correct location. See page 2.</p> <p>Check that the hose is long enough to reach the furthest point in the pool. See page 5.</p> <p>The return eyeball fittings may be pushing the cleaner hoses away. See page 5.</p>

## REPLACEMENT PARTS



ITEM	P/N	DESCRIPTION
1	360477	TOP COVER
2	360284	BUCKLE KIT
3	360453	SWIVLE KIT
4	SEE TUNE UP KIT	WHEEL
5	360482	TIRE SET
6	360483	WHEEL HUB
<b>DRIVE KIT 800085</b>		
7	SEE DRIVE KIT	LEFT DRIVE
8	SEE DRIVE KIT	RIGHT DRIVE
<b>GEAR KIT 800086</b>		
10	SEE GEAR KIT	GEAR KIT
11	SEE GEAR KIT	TURBINE KIT
12	SEE GEAR KIT	CAM
13	SEE GEAR KIT	CAM GEAR KIT

ITEM	P/N	DESCRIPTION
<b>ROLLER KIT 8700087</b>		
14	SEE ROLLER KIT	FRONT ROLLER
15	SEE ROLLER KIT	REAR ROLLER
16	SEE ROLLER KIT	ROLLER BAR
17	SEE ROLLER KIT	WEAR BAR
18	360492	BEARING (4 PCS)
-	360490	LARGE HUMP TIRE
-	360327	LONG RUN CAM

(-) Not shown.

## WARRANTY INFORMATION

---

### TERMS AND CONDITIONS APPLICABLE IN AUSTRALIA AND NEW ZEALAND

Pentair warrants that, subject to the full terms and conditions included with the product, when used for the purpose for which it was designed, it will be free of material and manufacturing defects at the time of the original purchase. Any defects found in the products should be reported as soon as the fault is discovered.

Our goods come with guarantees that cannot be excluded under the Australian Consumer Law. You are entitled to a replacement or refund for a major failure and for compensation for any other reasonably foreseeable loss or damage. You are also entitled to have the goods repaired or replaced if the goods fail to be of acceptable quality and the failure does not amount to a major failure.

**YOU MUST CAREFULLY READ THE INSTRUCTIONS  
SUPPLIED PRIOR TO USING ANY PENTAIR PRODUCT.**

### 3-YEAR WARRANTY

Pentair warrants the product to be free from defects in material and/or workmanship for a period of 3-years, from the original purchase date. If a unit is deemed to be defective in material and/or workmanship, subject to the full terms and conditions included with the product, Pentair will provide a replacement Rebel<sup>®</sup> 2 head or repair parts as Pentair deems suitable.

#### What the Warranty Does Not Cover:

1. Wear and Tear – The Rebel<sup>®</sup> 2 cleaner is designed with all components made of materials selected for maximum performance and durability. However there is expected wear and tear of certain components, which is normal. For example; tyres, drive shafts and wheel hubs will all degrade when operated with additional use or in harsher chemical environments than intended. For these components, it is expected the user replaces as frequently as is necessary. Contact your Pentair retailer for replacement parts.
2. Physical Damage – Warranty is not provided for physical damage caused to the Rebel<sup>®</sup> 2 unit as a result of lack of care in handling or of mis-use. The Rebel<sup>®</sup> 2 cleaner is not a toy and should not be operated or played with by children. The cleaner should not be operated with people in the pool. Any damage that occurs to the cleaner in the pool as a result of obstacles or obstructions will not be covered by warranty.
3. Pool Chemistry – Warranty is not provided for damage or wear which is the result of poor pool chemistry. Pool chemistry should be maintained within limits below and the cleaner should be removed from the pool during shock treatments.  
Chlorine: 1-4ppm (2-3ppm ideal)  
pH: 7.2-7.8 (7.4-7.6 ideal)  
Total Alkalinity: 60-180ppm (80-100ppm ideal)  
Calcium Hardness: 150-500ppm (200-400ppm ideal)  
Heavy Metals (Ag, Cu): None
4. Incorrect Operation – Warranty is not provided for damage or wear which is the result of operation not in accordance with the instructions provided.

PLEASE REFER TO THE "PENTAIR WARRANTY TERMS AND CONDITIONS" DOCUMENT  
(INCLUDED WITH THE PRODUCT) FOR FULL WARRANTY TERMS AND CONDITIONS





1-21 Monash Drive | Dandenong South, VIC 3175 | Australia | 1300 137 344 | [pentairpool.com.au](http://pentairpool.com.au)

Information contained here-in remains the property of Pentair under Australian copyright law.  
Content may not be reproduced or transmitted without our prior written permission.

Disclaimer: Pentair reserves the right to change product specifications and products details.  
Product images are for reference purposes only and may not represent the actual/current product.

©2021 Pentair. All rights reserved.