

OWNER'S MANUAL



onga[®]

Pentair Water



Quiptron Skimmers

Models

5315000	5315060
5315010	5315500
5315050	5316500

Should the installer or operator or owner be unfamiliar with the correct installation or operation of this type of equipment you should contact the distributor/manufacturer for the correct advice before proceeding with the installation or operation of this product.

Relax - you've bought an **ongá**® ...

Congratulations on your decision to purchase an Onga product. Onga is one of the best know brands in its field, with a proud local and international reputation.

Onga is a brand for reliability, value for money and technological innovation. You will find Onga product wherever people need to move water in 3 broad markets covering:



Residential

Technologically advanced solutions for moving and treating water in the Home, Garden, Pool and Spa.



Agricultural

Innovative Stock and Crop water management solutions for Primary Industries.



Process

Water movement products for Building services, Emergency services and Original Equipment Manufacturers.

1. Continual Product Improvement

We employ the best engineers both in Australia and around the world to develop new and better ways to take water further.

2. Operational Excellence

There is only one standard that we set ourselves for both product quality and the quality of our service. That standard is excellence... to have no-one better than us at what we do... nothing short of that is acceptable. Our commitment to quality is reinforced with our ISO 9001 accreditation.

3. A Fair Price

Onga products are neither the cheapest nor the most expensive in their field. Our products do, on the other hand, always represent very good value for money; they always have and they always will.

4. Our Team of Dealers

The hand picked authorised Onga dealer network throughout Australia and worldwide are second to none. We invest considerable time and resources training and supporting them through the Onga Training Academy.



ongga[®]

Pentair Water

TABLE OF CONTENTS

1.	Warnings	3
2.	Quiptron Skimmer Overview	4
3.	Installation	5
4.	Dimensions	7
5.	Service Parts	8
6.	Troubleshooting	10

Warnings



IMPROPER INSTALLATION OR USE OF THIS PRODUCT MAY PRESENT A RISK OF HAIR OR BODY ENTRAPMENT AND DROWNING. Install this equipment in accordance with the instructions provided. Use only with the components and mounting hardware provided.



FAILURE TO FOLLOW THESE INSTRUCTIONS AND/OR USE WITH COMPONENTS NOT PROVIDED BY PENTAIR WATER AND NOT INTENDED TO BE USED WITH THIS PRODUCT MAY RESULT IN IMPROPER POSITIONING OR FUNCTIONING OF SKIMMER AND MAY CAUSE SEVERE PERSONAL INJURY OR DEATH.



The body of this skimmer is constructed of ABS. Some PVC jointing compounds are incompatible with ABS possibly causing failure of this product. Check compound suitability prior to use.



Pool pump suction is hazardous. Entrapment against pool suction outlet can result in drowning or disembowelment. Never use pool or spa unless all outlet covers are correctly installed, fastened with four screws and intact. Never sit or lean up against suction outlets.



DO NOT OPERATE SKIMMER WITHOUT THE SLOTTED PLUG FULLY INSTALLED INSIDE.

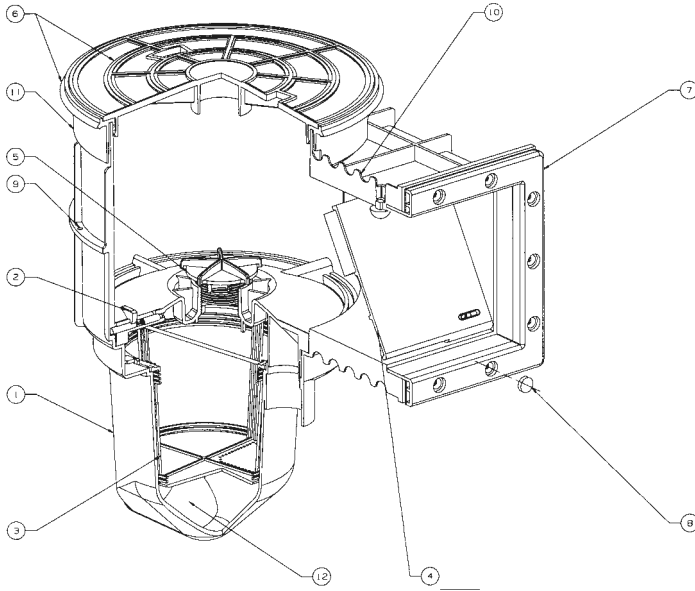
⚠ DANGER



Hazardous suction. Can trap hair or body parts, causing severe injury or death.

DO NOT BLOCK SUCTION.

Quiptron Skimmer Overview



- | | |
|---|--|
| <p>1 One piece body-no glue joints for potential leaks.</p> <p>2 Vacuum plate positively locks into position. Spring loaded latch preventing misalignment and plate being pulled out of position by vacuum hose.</p> <p>3 Robust moulded basket locks in with bayonet action.</p> <p>4 Weir fixed with pivot and spring loaded latch, easily removed from front or rear.</p> <p>5 Plug slotted for controlled flow of water over both weir and from main drain.</p> <p>6 Deck lid available in coordinated colours - beige and white.</p> | <p>7 Escutcheon plate return, covers edge of fibreglass or vinyl pool walls without reducing effective areas of throat.</p> <p>8 Screw holes covered with moulded plugs.</p> <p>9 Tie off holes for positive positioning of skimmer to steel cage.</p> <p>10 Bar locating scallops for positive spacing of throat flange to steel cage.</p> <p>11 Stepped extension ring for raised decks.</p> <p>12 Moulded sockets for pipework-horizontal 50mm suction port and a vertical 40mm front positioned main drain port.</p> |
|---|--|

Installation

"The installation of the skimmer shall be completed in accordance with AS 1926.3:2010"

For optimum skimming action, skimmer should be placed downwind to prevailing wind and water flow direction. Consult pool manufacturer's instructions for placement recommendations.

Assemble piping and pipe fittings to skimmer. All piping must conform to local and state plumbing and sanitary codes.

Long piping runs and elbows restrict flow. For best efficiency, use the fewest possible fittings and large diameter pipe (1-1/2" on 1-1/2" skimmers and 2" on 2" skimmers).



When gluing PVC pipe into an ABS Skimmer, you must use the primer as recommended by the glue manufacturer. This will ensure PVC and ABS Cement compatibility and a leak free joint.

Seal off any unused skimmer ports with o-ring-type plugs.



For sealing skimmer ports, use only the plugs and o-rings provided. **DO NOT** use tapered metal plugs as this will void manufacturer's warranty. When using threaded plastic pipe fittings for skimmer hook up, use only silicone sealant and tighten fittings handtight plus 1-1/2 turns **MAXIMUM**. **DO NOT STRENGTHEN!** If skimmer must be bypassed for line pressure testing, use only commercially available test kits with o-ring sealing provisions.

Support skimmer securely in position. Support locators on bottom of skimmer allow 1-1/2" or 2" PVC pipe to be used as a support. The deck ring collar has a friction fit that allows collars to be stacked upon each other to accommodate deck height as needed.

Installation (Cont.)

CAUTION

Ensure piping is adequately supported on undisturbed earth. If additional backfilling and tamping is necessary, do not stress pipe or skimmer port by lifting or moving pipe after skimmer port connections have been made.

Structural gunite/concrete should be applied in a monolithic pour, in conjunction with a cold joint.

Operation

To obtain best skimmer performance, the pool's hydraulic system must be designed to flow from 45 lpm to 250 lpm per skimmer. This ensures an adequate flow of water over the skimmer's weir. The amount of flow to the pump or from the main drain/equaliser line is regulated by the trimmer plate.

The water level of the pool should be maintained at approximately half way up the skimmer opening. The water level should not be allowed to get within 1" of the top or bottom of the opening. If the water level drops too far, air might enter the hydraulic system.

WARNING

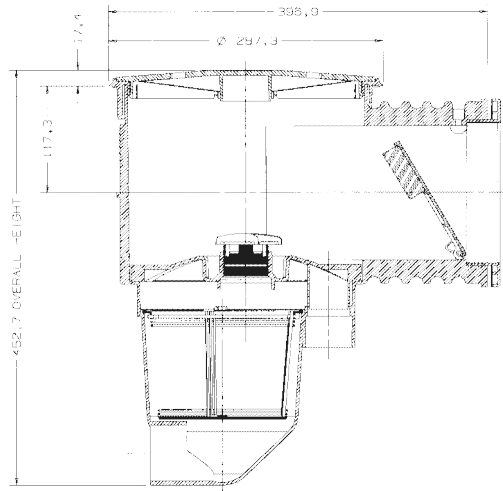
Air entering the hydraulic system could become trapped and pressurised in the system. Trapped air and improperly closed filters, pumps, chlorinators or other equipment could cause the equipment to separate, causing serious personal injury and/or major property damage.

CAUTION

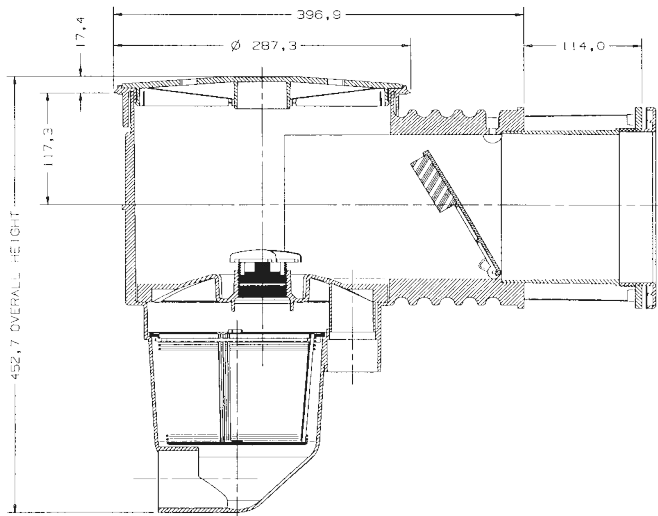
When a pump is connected to a single skimmer box, then the skimmer box shall be installed with an auxiliary outlet complying with AS1926.3: 2010

Dimensions

Qiptron Skimmer



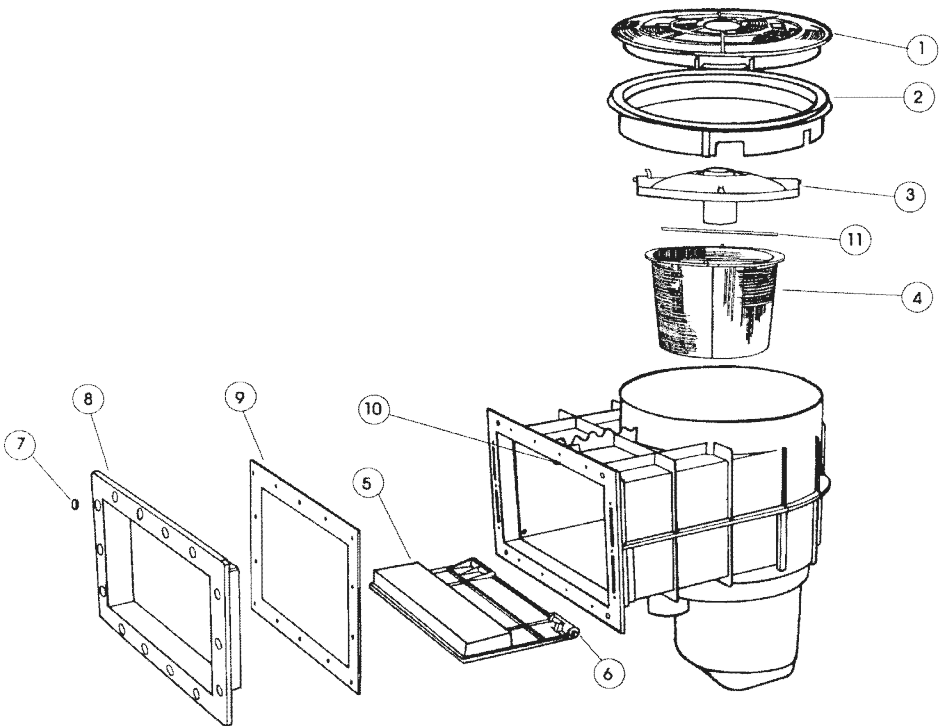
Qiptron Skimmer with Throat Extension



Onga Quiptron Skimmer Products Available

PN	Description
5315000	Onga Skimmer
5315010	Onga Skimmer c/w Escutcheon Kit
5315050	Onga Skimmer c/w Ext. Throat
5315060	Onga Skimmer c/w Ext. Throat & Escutcheon
3516500	Onga Skimmer extension throat only
5315500	Onga Skimmer extension ring

Service Parts



Service Parts (Cont.)

Items with suffi x K are packaged for display.

Model
Part number
Description

Quiptron
5315000
Skimmer

Item	Description	Qty	Part number
1	Deck Lid	1	51609XX*
2	Dress Ring	1	51608XX*
3	Systems Control Plate	1	5315100
4	Leaf Basket	1	5315200
5	Weir Door	1	5315300
6	Latch Assemblies (Pack of 2)	1	5315400
7	Escutcheon Plate Plug (Pack of 14)	14	5315700
8	Escutcheon Plate	1	5316400
9	Gasket	1	5315800
10	Weir Door Buffer	1	5316000
11	Handle	1	6123778
	Reducing Bush & Plug (Not Shown)	1	5316100
	40mm Plug (Not Shown)	1	5148800
	Screws (Pack of 14) Not Shown	14	5315900

Quantity column indicates maximum number of individual items per service repair.

The part number given is for singular units unless otherwise stated in the item description. Drawings are indicative only, product appearance may change slightly.

Troubleshooting

Symptom	Cause	Remedy
Pool surface not clean, inadequate skimming effect.	Skimmer basket obstructed.	Clean Skimmer basket.
	Incorrect pool water level.	Raise/lower pool water level to recommended heights.
	Inadequate pool water circulation.	Position pool water fittings to increase surface circulation
Pool surface clean, bottom dirty.	Main drain obstructed.	Clean main drain. Remove obstruction from main drain line.
	Inadequate pool water circulation.	Position pool water return fittings to increase circulation at bottom or pool.
Air returning to pool.	Low pool water level.	Raise pool water level to recommended height.

Notes.....

.....

.....

.....

.....

.....

.....

.....

.....

.....

.....

.....

.....

.....

.....

.....

.....

.....

.....

.....

.....

.....

.....

.....

IMPORTANT

Please attach your sales invoice/docket here as proof of purchase should warranty service be required.

Please do not return Warranty Form to Pentair Water Australia - please retain for your records.

Purchased From

Purchase Date..... Serial No..... Model No.....



Head Office

Pentair AU/NZ: 1-21 Monash Drive,
Dandenong South, Vic 3175

Australia

National Customer Service: Phone: 1300 137 344
Fax: 1800 006 688
National Dealer Locator: Phone: 1800 664 266
Email: au.sales@pentair.com
Web: www.pentairwater.com.au

New Zealand

National Customer Service: Phone: 0800 654 112
Fax: 0800 806 642
National Dealer Locator: Phone: 0800 664 269
Email: nz.sales@pentair.com
Web: www.pentairwater.co.nz

International Australia/New Zealand

Phone: +61 3 9709 5800
Fax: +61 3 9709 5888

© Information contained here-in remains the property of Pentair Water Pty Ltd. Any reproduction, display, publication, modification or distribution is strictly prohibited without the prior written permission of Pentair Water Pty Ltd.

Disclaimer: Every endeavour has been made to publish the correct details in this data sheet. No responsibility will be taken for errors, omissions or changes in product specifications. Pentair Water reserves the right to change specifications