

PWT COMMERCIAL FILTERS

DEEP BED FIBREGLASS TANK WITH SIDE-MOUNT MULTIPORT VALVE



Featured Highlights

- Spun-woven, UV resistant fibreglass construction for exceptional strength, chemical resistance and long life.
- Max Operating Pressure 250kPa.
- Dual layers of Laterals.
- 4" Sight Glass.
- Manhole for servicing.
- 50mm / 2" Drain.
- 1 year commercial warranty.*

The Pentair Deep Bed Filters offer a more thorough filtration with a standard 1.0m or 1.2m deep sand bed. Giving high filtration performance for large domestic and commercial swimming pools.

Ordering Information

Model	Product	Effective Filter Area (m ²)	Valve Conn. (in.)	Max Flow Rate (LPM)	Sand Required (kg)	Carton Wt. (kg)
SIDE-MOUNT DEEP BED FILTERS 1M SAND BED						
PWT-SDB-10-07-20	Side-Mount Deep Bed Filter - 0.7m dia \ 1m Sand Bed \ 2" Valve	0.38	2"	253	580	135
PWT-SDB-10-08-20	Side-Mount Deep Bed Filter - 0.8m dia \ 1m Sand Bed \ 2" Valve	0.5	2"	333	769	170
PWT-SDB-10-09-20	Side-Mount Deep Bed Filter - 0.9m dia \ 1m Sand Bed \ 2" Valve	0.63	2"	420	957	235
PWT-SDB-10-09-25	Side-Mount Deep Bed Filter - 0.9m dia \ 1m Sand Bed \ 2.5" Valve	0.63	2.5"	525	957	240
PWT-SDB-10-10-20	Side-Mount Deep Bed Filter - 1.0m dia \ 1m Sand Bed \ 2" Valve	0.78	2"	520	1204	284
PWT-SDB-10-10-25	Side-Mount Deep Bed Filter - 1.0m dia \ 1m Sand Bed \ 2.5" Valve	0.78	2.5"	650	1204	290
SIDE-MOUNT DEEP BED FILTERS 1.2M SAND BED						
PWT-SDB-12-07-20	Side-Mount Deep Bed Filter - 0.7m dia \ 1.2m Sand Bed \ 2" Valve	0.38	2"	253	696	150
PWT-SDB-12-08-20	Side-Mount Deep Bed Filter - 0.8m dia \ 1.2m Sand Bed \ 2" Valve	0.5	2"	333	914	188
PWT-SDB-12-09-20	Side-Mount Deep Bed Filter - 0.9m dia \ 1.2m Sand Bed \ 2" Valve	0.63	2"	420	1146	258
PWT-SDB-12-09-25	Side-Mount Deep Bed Filter - 0.9m dia \ 1.2m Sand Bed \ 2.5" Valve	0.63	2.5"	525	1146	263
PWT-SDB-12-10-20	Side-Mount Deep Bed Filter - 1.0m dia \ 1.2m Sand Bed \ 2" Valve	0.78	2"	520	1436	330
PWT-SDB-12-10-25	Side-Mount Deep Bed Filter - 1.0m dia \ 1.2m Sand Bed \ 2.5" Valve	0.78	2.5"	650	1436	336

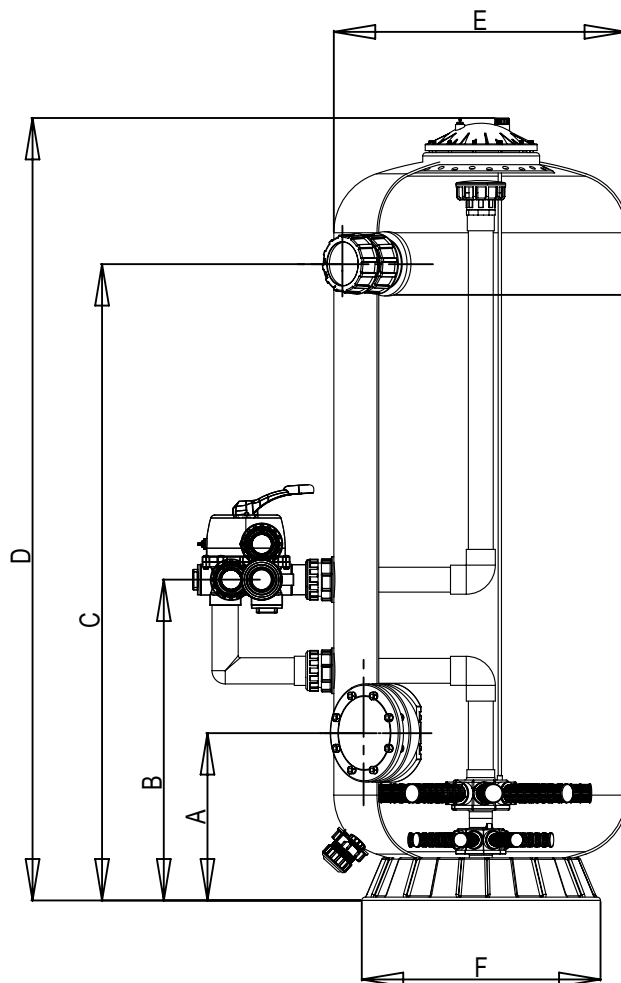
* Terms and conditions apply

PWT COMMERCIAL FILTERS

DEEP BED FIBREGLASS TANK WITH SIDE-MOUNT MULTIPORT VALVE (CONT'D)

Model	A (mm)	B (mm)	C (mm)	D (mm)	E (mm)	F (mm)
SIDE-MOUNT DEEP BED FILTERS 1M SAND BED						
PWT-SDB-10-07-20	510	750	1270	1672	700	680
PWT-SDB-10-08-20	510	750	1270	1702	800	740
PWT-SDB-10-09-20	515	870	1270	1735	900	860
PWT-SDB-10-09-25	515	834	1270	1735	900	860
PWT-SDB-10-10-20	515	870	1270	1813	1000	960
PWT-SDB-10-10-25	515	1033	1270	1813	1000	960
SIDE-MOUNT DEEP BED FILTERS 1.2M SAND BED						
PWT-SDB-12-07-20	510	750	1470	1872	700	680
PWT-SDB-12-08-20	510	750	1470	1902	800	740
PWT-SDB-12-09-20	515	870	1470	1935	900	860
PWT-SDB-12-09-25	515	834	1470	1935	900	860
PWT-SDB-12-10-20	515	870	1470	2013	1000	960
PWT-SDB-12-10-25	515	1033	1470	2013	1000	960

Dimensions



*All dimensions in mm.

PWT COMMERCIAL FILTERS

FIBREGLASS TANK WITH SIDE-MOUNT FLANGES



Featured Highlights

- Spun-woven, UV resistant fiberglass construction for exceptional strength, chemical resistance and long life.
- Max Operating Pressure 250kPa.
- Dual layers of Laterals.
- 4" Sight Glass.
- Available with lateral or nozzle system.
- Union Drain.
- 1 year commercial warranty.*

The Pentair NL Series satisfies the demand of different water treatment including pools installed with in-floor cleaning systems, spas, fountains and public swimming pools.

Ordering Information

Model 250kPa (Laterals / Nozzles)	Model 400kPa (Latterals / Nozzles)	Product	Effective Filter Area (m ²)	Valve Conn. (in.)	Max Flow Rate (m ³ /hr)	Sand Req'd (kg)	Gravel Req'd (kg)	Gross Wt. (kg)
SIDE-MOUNT FLANGED FILTERS								
PWT-NL-12-25(L/N)	PWT-NL-12-40(L/N)	Side-Mount Flanged Filter 1.2m dia.	1.11	3"	55	900	300	114
PWT-NL-14-25(L/N)	PWT-NL-14-40(L/N)	Side-Mount Flanged Filter 1.4m dia.	1.54	4"	77	1350	450	195
PWT-NL-16-25(L/N)	PWT-NL-16-40(L/N)	Side-Mount Flanged Filter 1.6m dia.	2.06	4"	102	2300	700	234
PWT-NL-18-25(L/N)	PWT-NL-18-40(L/N)	Side-Mount Flanged Filter 1.8m dia.	2.52	6"	125	2900	900	362
PWT-NL-20-25(L/N)	PWT-NL-20-40(L/N)	Side-Mount Flanged Filter 2.0m dia.	2.97	6"	147	4000	1100	390
PWT-NL-23-25(L/N)	PWT-NL-23-40(L/N)	Side-Mount Flanged Filter 2.3m dia.	4.43	8"	219	6000	1600	489
PWT-NL-25-25(L/N)	PWT-NL-25-40(L/N)	Side-Mount Flanged Filter 2.5m dia.	4.89	8"	240	6700	1800	552
SIDE-MOUNT DEEP BED FLANGED FILTERS								
PWT-K-12-25(L/N)	PWT-K-12-40(L/N)	Side-Mount Deep Bed Flanged Filter 1.2m dia.	1.13	3"	45	1500	300	213
PWT-K-14-25(L/N)	PWT-K-14-40(L/N)	Side-Mount Deep Bed Flanged Filter 1.4m dia.	1.54	4"	61	2250	450	228
PWT-K-16-25(L/N)	PWT-K-16-40(L/N)	Side-Mount Deep Bed Flanged Filter 1.6m dia.	2.01	4"	80	2900	700	433
PWT-K-18-25(L/N)	PWT-K-18-40(L/N)	Side-Mount Deep Bed Flanged Filter 1.8m dia.	2.54	6"	101	3200	900	500
PWT-K-20-25(L/N)	PWT-K-20-40(L/N)	Side-Mount Deep Bed Flanged Filter 2.0m dia.	3.14	6"	125	4300	1100	712
PWT-K-23-25(L/N)	PWT-K-23-40(L/N)	Side-Mount Deep Bed Flanged Filter 2.3m dia.	4.43	8"	175	7600	1600	594
PWT-K-25-25(L/N)	PWT-K-25-40(L/N)	Side-Mount Deep Bed Flanged Filter 2.5m dia.	4.9	8"	200	8600	1800	850

* Terms and conditions apply

PWT COMMERCIAL FILTERS

FIBREGLASS TANK WITH SIDE-MOUNT FLANGES (CONT'D)

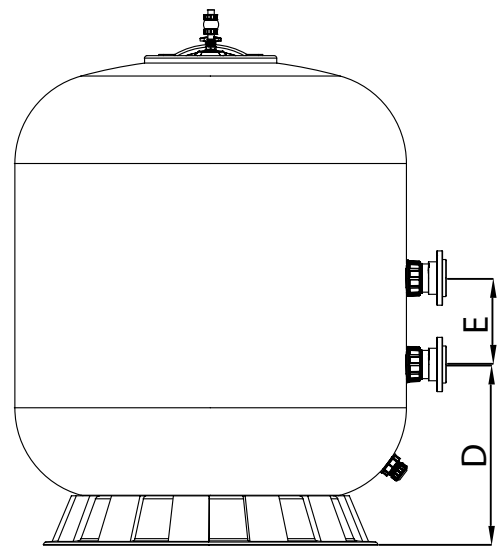
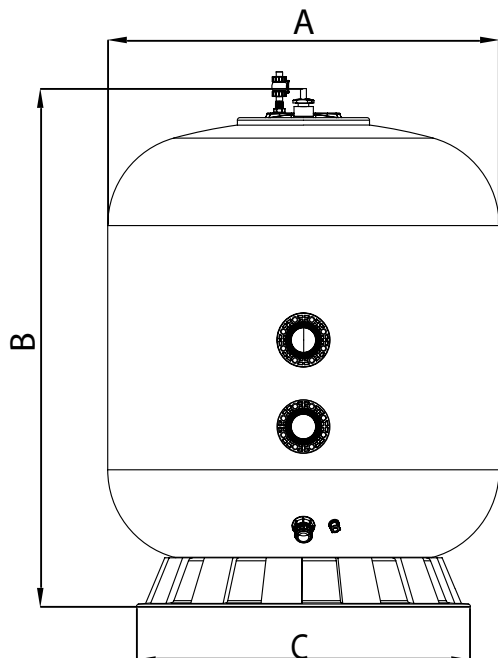


Product	Description
Multiport Valves for NL and K Series Filters	
PWT-NBV-30-4	4-Way Butterfly Valve 3" Ports
PWT-NBV-40-4	4-Way Butterfly Valve 4" Ports
PWT-NBV-60-4	4-Way Butterfly Valve 6" Ports
PWT-NBV-80-4	4-Way Butterfly Valve 8" Ports
PWT-NBV-30-5	5-Way Butterfly Valve 3" Ports
PWT-NBV-40-5	5-Way Butterfly Valve 4" Ports
PWT-NBV-60-5	5-Way Butterfly Valve 6" Ports
PWT-NBV-80-5	5-Way Butterfly Valve 8" Ports

Dimensions

Model	A (mm)	B (mm)	C (mm)	D (mm)	E (mm)
SIDE-MOUNT FLANGED FILTERS					
PWT-NL-12	1190	1410	1000	565	350
PWT-NL-14	1400	1570	1220	565	350
PWT-NL-16	1620	1740	1365	650	350
PWT-NL-18	1790	2040	1630	690	415
PWT-NL-20	1945	2210	1630	770	415
PWT-NL-23	2375	2510	1800	950	550
PWT-NL-25	2495	2670	1800	1050	550

Model	A (mm)	B (mm)	C (mm)	D (mm)	E (mm)
SIDE-MOUNT DEEP BED FLANGED FILTERS					
PWT-K-12	1200	2080	995	565	350
PWT-K-14	1400	2175	1220	565	350
PWT-K-16	1600	2310	1365	650	350
PWT-K-18	1800	2320	1630	690	415
PWT-K-20	2000	2460	1630	770	415
PWT-K-23	2350	2720	1800	950	550
PWT-K-25	2500	2750	1800	1050	550



PWT COMMERCIAL FILTERS

HORIZONTAL FIBREGLASS TANK WITH SIDE FLANGES



Featured Highlights

- Spun-woven, UV resistant fibreglass construction for exceptional strength, chemical resistance and long life.
- Max Operating Pressure 250kPa or 400kPa.
- Even spreads of laterals.
- 4" Sight Glass.
- Manhole for servicing.
- Union Drain.
- Air vent valve.
- In-built Manometer.
- 1 year commercial warranty.*

The Pentair Horizontal Filters are suitable for high demand in filtration surface area, especially for commercial purposes. With long life and minimal servicing. Suitable for large scale water features, aquarium and commercial pool.

Ordering Information

Model (250kPa)	Model (400 kPa)	Product	Effective Filter Area (m ²)	Valve Conn.	Max Flow Rate (m ³ / hr)	Gravel 1-1.2mm (kg)	Sand 0.4-0.8mm (kg)
HORIZONTAL FILTERS 1.2M DIAMETER 0.6M SAND BED DEPTH							
PWT-H-12-19-4-25	PWT-H-12-19-4-40	Horizontal Fibreglass Filter 1.2m x 1.9m (4")	1.96	4"	39	425	1100
PWT-H-12-19-6-25	PWT-H-12-19-6-40	Horizontal Fibreglass Filter 1.2m x 1.9m (6")	1.96	6"	79	425	1100
PWT-H-12-23-4-25	PWT-H-12-23-4-40	Horizontal Fibreglass Filter 1.2m x 2.3m (4")	2.42	4"	48	550	1425
PWT-H-12-23-6-25	PWT-H-12-23-6-40	Horizontal Fibreglass Filter 1.2m x 2.3m (6")	2.42	6"	97	550	1425
PWT-H-12-25-4-25	PWT-H-12-25-4-40	Horizontal Fibreglass Filter 1.2m x 2.5m (4")	2.65	4"	53	700	1750
PWT-H-12-25-6-25	PWT-H-12-25-6-40	Horizontal Fibreglass Filter 1.2m x 2.5m (6")	2.65	6"	107	700	1750
PWT-H-12-27-4-25	PWT-H-12-27-4-40	Horizontal Fibreglass Filter 1.2m x 2.7m (4")	2.87	4"	57	825	2075
PWT-H-12-27-6-25	PWT-H-12-27-6-40	Horizontal Fibreglass Filter 1.2m x 2.7m (6")	2.87	6"	115	825	2075
PWT-H-12-30-4-25	PWT-H-12-30-4-40	Horizontal Fibreglass Filter 1.2m x 3.0m (4")	3.21	4"	64	925	2325
PWT-H-12-30-6-25	PWT-H-12-30-6-40	Horizontal Fibreglass Filter 1.2m x 3.0m (6")	3.21	6"	129	925	2325
HORIZONTAL FILTERS 1.4M DIAMETER 0.8M SAND BED DEPTH							
PWT-H-14-19-4-25	PWT-H-14-19-4-40	Horizontal Fibreglass Filter 1.4m x 1.9m (4")	2.23	4"	45	575	2100
PWT-H-14-19-6-25	PWT-H-14-19-6-40	Horizontal Fibreglass Filter 1.4m x 1.9m (6")	2.23	6"	89	575	2100
PWT-H-14-25-4-25	PWT-H-14-25-4-40	Horizontal Fibreglass Filter 1.4m x 2.5m (4")	3.02	4"	60	800	2825
PWT-H-14-25-6-25	PWT-H-14-25-6-40	Horizontal Fibreglass Filter 1.4m x 2.5m (6")	3.02	6"	121	800	2825
PWT-H-14-30-4-25	PWT-H-14-30-4-40	Horizontal Fibreglass Filter 1.4m x 3.0m (4")	3.67	4"	73	1000	3450
PWT-H-14-30-6-25	PWT-H-14-30-6-40	Horizontal Fibreglass Filter 1.4m x 3.0m (6")	3.67	6"	110	1000	3450
PWT-H-14-30-8-25	PWT-H-14-30-8-40	Horizontal Fibreglass Filter 1.4m x 3.0m (8")	3.67	8"	147	1000	3450

* Terms and conditions apply

PWT COMMERCIAL FILTERS

HORIZONTAL FIBREGLASS TANK WITH SIDE FLANGES (CONT'D)

Model (250kPa)	Model (400 kPa)	Product	Effective Filter Area (m ²)	Valve Conn.	Max Flow Rate (m ³ / hr)	Gravel 1-1.2mm (kg)	Sand 0.4-0.8mm (kg)
HORIZONTAL FILTERS 1.6M DIAMETER 1.0M SAND BED DEPTH							
PWT-H-16-19-4-25	PWT-H-16-19-4-40	Horizontal Fibreglass Filter 1.6m x 1.9m (4")	2.47	4"	49	600	2850
PWT-H-16-19-6-25	PWT-H-16-19-6-40	Horizontal Fibreglass Filter 1.6m x 1.9m (6")	2.47	6"	99	600	2850
PWT-H-16-25-6-25	PWT-H-16-25-6-40	Horizontal Fibreglass Filter 1.6m x 2.5m (6")	3.36	6"	101	850	3875
PWT-H-16-25-8-25	PWT-H-16-25-8-40	Horizontal Fibreglass Filter 1.6m x 2.5m (8")	3.36	8"	134	850	3875
PWT-H-16-30-6-25	PWT-H-16-30-6-40	Horizontal Fibreglass Filter 1.6m x 3.0m (6")	4.1	6"	123	1050	4750
PWT-H-16-30-8-25	PWT-H-16-30-8-40	Horizontal Fibreglass Filter 1.6m x 3.0m (8")	4.1	8"	164	1050	4750
HORIZONTAL FILTERS 1.8M DIAMETER 1.0M SAND BED DEPTH							
PWT-H-18-25-6-25	PWT-H-18-25-6-40	Horizontal Fibreglass Filter 1.8m x 2.5m (6")	3.74	6"	112	975	4850
PWT-H-18-25-8-25	PWT-H-18-25-8-40	Horizontal Fibreglass Filter 1.8m x 2.5m (8")	3.74	8"	150	975	4850
PWT-H-18-30-6-25	PWT-H-18-30-6-40	Horizontal Fibreglass Filter 1.8m x 3.0m (6")	4.58	6"	137	1225	5925
PWT-H-18-30-8-25	PWT-H-18-30-8-40	Horizontal Fibreglass Filter 1.8m x 3.0m (8")	4.58	8"	183	1225	5925
PWT-H-18-35-8-25	PWT-H-18-35-8-40	Horizontal Fibreglass Filter 1.8m x 3.5m (8")	5.41	8"	162	1475	7000
PWT-H-18-35-10-25	PWT-H-18-35-10-40	Horizontal Fibreglass Filter 1.8m x 3.5m (10")	5.41	10"	216	1475	7000
PWT-H-18-40-6-25	PWT-H-18-40-6-40	Horizontal Fibreglass Filter 1.8m x 4.0m (6")	6.25	6"	125	1700	8075
PWT-H-18-40-8-25	PWT-H-18-40-8-40	Horizontal Fibreglass Filter 1.8m x 4.0m (8")	6.25	8"	187	1700	8075
PWT-H-18-40-10-25	PWT-H-18-40-10-40	Horizontal Fibreglass Filter 1.8m x 4.0m (10")	6.25	10"	250	1700	8075
HORIZONTAL FILTERS 2.0M DIAMETER 1.2M SAND BED DEPTH							
PWT-H-20-25-6-25	PWT-H-20-25-6-40	Horizontal Fibreglass Filter 2.0m x 2.5m (6")	4.34	6"	130	1050	6575
PWT-H-20-25-8-25	PWT-H-20-25-8-40	Horizontal Fibreglass Filter 2.0m x 2.5m (8")	4.34	8"	174	1050	6575
PWT-H-20-30-6-25	PWT-H-20-30-6-40	Horizontal Fibreglass Filter 2.0m x 3.0m (6")	5.3	6"	159	1300	8025
PWT-H-20-30-8-25	PWT-H-20-30-8-40	Horizontal Fibreglass Filter 2.0m x 3.0m (8")	5.3	8"	212	1300	8025
PWT-H-20-35-6-25	PWT-H-20-35-6-40	Horizontal Fibreglass Filter 2.0m x 3.5m (6")	6.25	6"	125	1550	9475
PWT-H-20-35-8-25	PWT-H-20-35-8-40	Horizontal Fibreglass Filter 2.0m x 3.5m (8")	6.25	8"	187	1550	9475
PWT-H-20-35-10-25	PWT-H-20-35-10-40	Horizontal Fibreglass Filter 2.0m x 3.5m (10")	6.25	10"	250	1550	9475
PWT-H-20-40-6-25	PWT-H-20-40-6-40	Horizontal Fibreglass Filter 2.0m x 4.0m (6")	7.21	6"	144	1800	10925
PWT-H-20-40-8-25	PWT-H-20-40-8-40	Horizontal Fibreglass Filter 2.0m x 4.0m (8")	7.21	8"	216	1800	10925
PWT-H-20-40-10-25	PWT-H-20-40-10-40	Horizontal Fibreglass Filter 2.0m x 4.0m (10")	7.21	10"	288	1800	10925
PWT-H-20-45-8-25	PWT-H-20-45-8-40	Horizontal Fibreglass Filter 2.0m x 4.5m (8")	8.16	8"	163	2075	12375
PWT-H-20-45-10-25	PWT-H-20-45-10-40	Horizontal Fibreglass Filter 2.0m x 4.5m (10")	8.16	10"	326	2075	12375
HORIZONTAL FILTERS 2.35M DIAMETER 1.2M SAND BED DEPTH							
PWT-23-30-6-25	PWT-23-30-6-40	Horizontal Fibreglass Filter 2.35m x 3.0m (6")	5.94	6"	119	2575	9300
PWT-23-30-8-25	PWT-23-30-8-40	Horizontal Fibreglass Filter 2.35m x 3.0m (8")	5.94	8"	178	2575	9300
PWT-23-30-10-25	PWT-23-30-10-40	Horizontal Fibreglass Filter 2.35m x 3.0m (10")	5.94	10"	238	2575	9300
PWT-23-35-6-25	PWT-23-35-6-40	Horizontal Fibreglass Filter 2.35m x 3.5m (6")	7.06	6"	141	3125	11050
PWT-23-35-8-25	PWT-23-35-8-40	Horizontal Fibreglass Filter 2.35m x 3.5m (8")	7.06	8"	212	3125	11050
PWT-23-35-10-25	PWT-23-35-10-40	Horizontal Fibreglass Filter 2.35m x 3.5m (10")	7.06	10"	282	3125	11050
PWT-23-40-8-25	PWT-23-40-8-40	Horizontal Fibreglass Filter 2.35m x 4.0m (8")	8.17	8"	163	3650	12800

PWT COMMERCIAL FILTERS

HORIZONTAL FIBREGLASS TANK WITH SIDE FLANGES (CONT'D)

Model (250kPa)	Model (400 kPa)	Product	Effective Filter Area (m ²)	Valve Conn.	Max Flow Rate (m ³ / hr)	Gravel 1-1.2mm (kg)	Sand 0.4-0.8mm (kg)
PWT-23-40-10-25	PWT-23-40-10-40	Horizontal Fibreglass Filter 2.35m x 4.0m (10")	8.17	10"	327	3650	12800
PWT-23-45-8-25	PWT-23-45-8-40	Horizontal Fibreglass Filter 2.35m x 4.5m (8")	9.28	8"	186	4200	14525
PWT-23-45-10-25	PWT-23-45-10-40	Horizontal Fibreglass Filter 2.35m x 4.5m (10")	9.28	10"	371	4200	14525
PWT-23-50-8-25	PWT-23-50-8-40	Horizontal Fibreglass Filter 2.35m x 5.0m (8")	10.4	8"	208	4750	16250
PWT-23-50-10-25	PWT-23-50-10-40	Horizontal Fibreglass Filter 2.35m x 5.0m (10")	10.4	10"	312	4750	16250
PWT-23-50-12-25	PWT-23-50-12-40	Horizontal Fibreglass Filter 2.35m x 5.0m (12")	10.4	12"	416	4750	16250
HORIZONTAL FILTERS 2.5M DIAMETER 1.3M SAND BED DEPTH							
PWT-25-35-6-25	PWT-25-35-6-40	Horizontal Fibreglass Filter 2.5m x 3.5m (6")	7.34	6"	149	3175	11675
PWT-25-35-8-25	PWT-25-35-8-40	Horizontal Fibreglass Filter 2.5m x 3.5m (8")	7.34	8"	223	3175	11675
PWT-25-35-10-25	PWT-25-35-10-40	Horizontal Fibreglass Filter 2.5m x 3.5m (10")	7.34	10"	297	3175	11675
PWT-25-40-8-25	PWT-25-40-8-40	Horizontal Fibreglass Filter 2.5m x 4.0m (8")	8.62	8"	172	3725	13500
PWT-25-40-10-25	PWT-25-40-10-40	Horizontal Fibreglass Filter 2.5m x 4.0m (10")	8.62	10"	345	3725	13500
PWT-25-45-8-25	PWT-25-45-8-40	Horizontal Fibreglass Filter 2.5m x 4.5m (8")	9.8	8"	196	4300	15350
PWT-25-45-10-25	PWT-25-45-10-40	Horizontal Fibreglass Filter 2.5m x 4.5m (10")	9.8	10"	294	4300	15350
PWT-25-45-12-25	PWT-25-45-12-40	Horizontal Fibreglass Filter 2.5m x 4.5m (12")	9.8	12"	392	4300	15350
PWT-25-50-8-25	PWT-25-50-8-40	Horizontal Fibreglass Filter 2.5m x 5.0m (8")	10.98	8"	220	4850	17200
PWT-25-50-10-25	PWT-25-50-10-40	Horizontal Fibreglass Filter 2.5m x 5.0m (10")	10.98	10"	329	4850	17200
PWT-25-50-12-25	PWT-25-50-12-40	Horizontal Fibreglass Filter 2.5m x 5.0m (12")	10.98	12"	439	4850	17200
HORIZONTAL FILTERS 3.0M DIAMETER 1.5M SAND BED DEPTH							
PWT-30-35-8-25	PWT-30-35-8-40	Horizontal Fibreglass Filter 3.0m x 3.5m (8")	8.98	8"	180	4525	17850
PWT-30-35-10-25	PWT-30-35-10-40	Horizontal Fibreglass Filter 3.0m x 3.5m (10")	8.98	10"	270	4525	17850
PWT-30-35-12-25	PWT-30-35-12-40	Horizontal Fibreglass Filter 3.0m x 3.5m (12")	8.98	12"	360	4525	17850
PWT-30-40-8-25	PWT-30-40-8-40	Horizontal Fibreglass Filter 3.0m x 4.0m (8")	10.4	8"	208	5300	20675
PWT-30-40-10-25	PWT-30-40-10-40	Horizontal Fibreglass Filter 3.0m x 4.0m (10")	10.4	10"	312	5300	20675
PWT-30-40-12-25	PWT-30-40-12-40	Horizontal Fibreglass Filter 3.0m x 4.0m (12")	10.4	12"	416	5300	20675
PWT-30-45-8-25	PWT-30-45-8-40	Horizontal Fibreglass Filter 3.0m x 4.5m (8")	11.82	8"	236	6100	23500
PWT-30-45-10-25	PWT-30-45-10-40	Horizontal Fibreglass Filter 3.0m x 4.5m (10")	11.82	10"	355	6100	23500
PWT-30-45-12-25	PWT-30-45-12-40	Horizontal Fibreglass Filter 3.0m x 4.5m (12")	11.82	12"	473	6100	23500
PWT-30-50-8-25	PWT-30-50-8-40	Horizontal Fibreglass Filter 3.0m x 5.0m (8")	13.24	8"	265	6875	26300
PWT-30-50-10-25	PWT-30-50-10-40	Horizontal Fibreglass Filter 3.0m x 5.0m (10")	13.24	10"	397	6875	26300
PWT-30-50-12-25	PWT-30-50-12-40	Horizontal Fibreglass Filter 3.0m x 5.0m (12")	13.24	12"	530	6875	26300

PWT COMMERCIAL FILTERS

HORIZONTAL FIBREGLASS TANK WITH SIDE FLANGES (CONT'D)

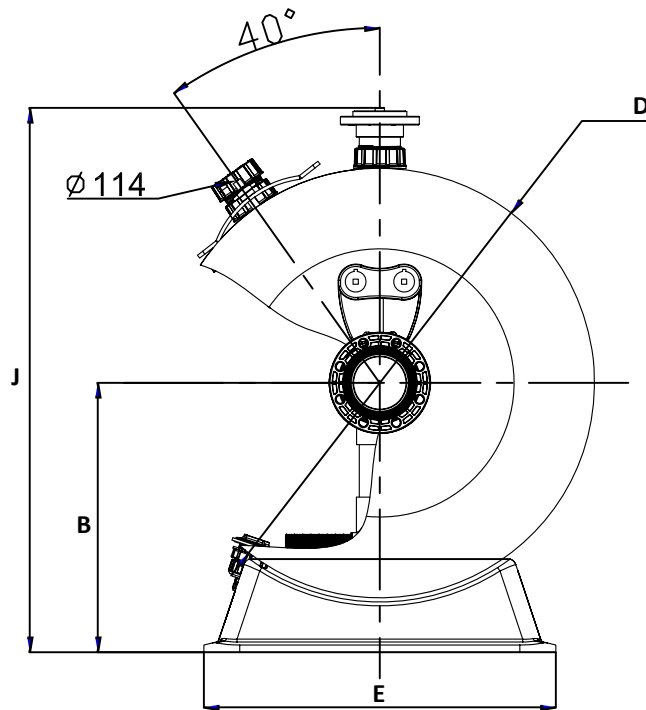
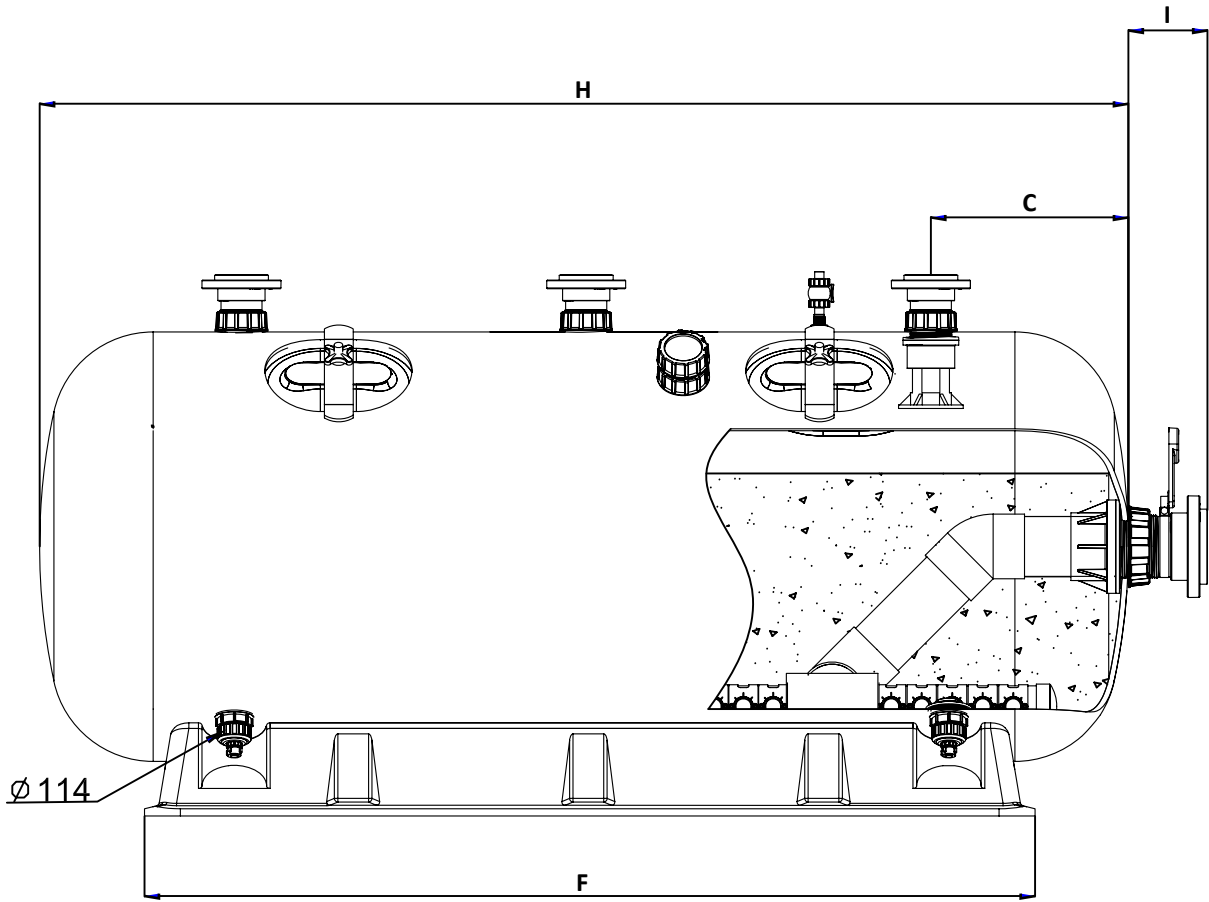
Dimensions

Model	B (mm)	C (mm)	D (mm)	E (mm)	F (mm)	H (mm)	J (mm)
HORIZONTAL FILTERS 1.2M DIAMETER 0.6M SAND BED DEPTH							
PWT-H-12-19	727	650	1200	900	1280	1900	1645
PWT-H-12-23	727	650	1200	900	1680	2300	1645
PWT-H-12-25	727	650	1200	900	1880	2500	1645
PWT-H-12-27	727	680	1200	900	2080	2700	1645
PWT-H-12-30	727	650	1200	900	2380	3000	1645
HORIZONTAL FILTERS 1.4M DIAMETER 0.8M SAND BED DEPTH							
PWT-H-14-19	839	650	1400	1080	1220	1900	1855
PWT-H-14-25	839	750	1400	1080	1820	2500	1855
PWT-H-14-30	839	750	1400	1080	2320	3000	1855 (1910 -8")
HORIZONTAL FILTERS 1.6M DIAMETER 1.0M SAND BED DEPTH							
PWT-H-16-19	950	650	1600	1230	1105	1900	2070
PWT-H-16-25	950	750	1600	1230	1705	2500	2070 (2125 -8")
PWT-H-16-30	950	750 (800 -8")	1800	1230	2205	3000	2070 (2125 -8")
HORIZONTAL FILTERS 1.8M DIAMETER 1.0M SAND BED DEPTH							
PWT-H-18-25	1047	750 (800 -8")	1800	1380	1560	2500	2305 (2250 -6")
PWT-H-18-30	1047	750 (800 -8")	1800	1380	2060	3000	2305 (2250 -6")
PWT-H-18-35	1047	850	1800	1380	2560	3500	2305
PWT-H-18-40	1047	900 (800 -6")	1800	1380	3060	4000	2305 (2250 -6")
HORIZONTAL FILTERS 2.0M DIAMETER 1.2M SAND BED DEPTH							
PWT-H-20-25	1162	900	2000	1470	1190	2500	2535 (2480 -6")
PWT-H-20-30	1162	900 (1000 -6")	2000	1470	1690	3000	2535 (2480 -6")
PWT-H-20-35	1162	900 (1000 -6")	2000	1470	2190	3500	2535 (2480 -6")
PWT-H-20-40	1162	950	2000	1470	2690	4000	2535 (2480 -6")
PWT-H-20-45	1162	980	2000	1470	3190	4500	2535
HORIZONTAL FILTERS 2.35M DIAMETER 1.2M SAND BED DEPTH							
PWT-23-30	1325	1150 (1100 -8" / 1050 -6")	2350	1740	1320	3000	2930 (2875 -8" / 2820 -6")
PWT-23-35	1325	1200 (1150 -8" / 1100 -6")	2350	1740	1820	3500	2930 (2875 -8" / 2820 -6")
PWT-23-40	1325	1200	2350	1740	2320	4000	2875
PWT-23-45	1325	1200	2350	1740	2820	4500	2875
PWT-23-50	1325	1150	2350	1740	3320	5000	2875
HORIZONTAL FILTERS 2.5M DIAMETER 1.3M SAND BED DEPTH							
PWT-25-35	1425	1250 (1200 -6")	2500	1850	1670	3500	3105 (3050 -8" / 2995 -6")
PWT-25-40	1425	1200	2500	1850	2170	4000	3050
PWT-25-45	1425	1230	2500	1850	2670	4500	3050
PWT-25-50	1425	1300	2500	1850	3170	5000	3050
HORIZONTAL FILTERS 3.0M DIAMETER 1.5M SAND BED DEPTH							
PWT-30-35	1620	1750	3000	2200	1170	3500	3721 (3691 -10" / 3661 -8")
PWT-30-40	1620	1550	3000	2200	1670	4000	3661
PWT-30-45	1620	1550	3000	2200	2170	4500	3661
PWT-30-50	1620	1600	3000	2200	2670	5000	3661

PWT COMMERCIAL FILTERS

HORIZONTAL FIBREGLASS TANK WITH SIDE FLANGES (CONT'D)

Dimensions



PORT SIZE	DIMENSION 'I' (MM)
4"	160
6"	236
8"	290
10"	320
12"	350