

# IntelliTouch® Valve Module Installation Instructions

## IMPORTANT SAFETY INSTRUCTIONS READ AND FOLLOW ALL INSTRUCTIONS SAVE THESE INSTRUCTIONS

### ⚠ WARNING

Before installing this product, read and follow all warning notices and instructions which are included. Failure to follow safety warnings and instructions can result in severe injury, death, or property damage. Call (800) 831-7133 for additional free copies of these instructions.

### Important Notice



Attention Installer.

This manual contains important information about the installation, operation and safe use of this product. This information should be given to the owner/operator of this equipment.

1. Open Load Center. Fold down Outdoor Control Panel.
2. Plug Valve Module into Personality PCB.
3. Attach Actuators. If necessary, shut-off power and remove High Voltage Cover Panel to feed cable up Low Voltage Raceway.
4. Install High Voltage Cover Panel. Fold up Outdoor Control Panel. Close Load Center. Turn on power.
5. Configure system. (See Reverse side.)

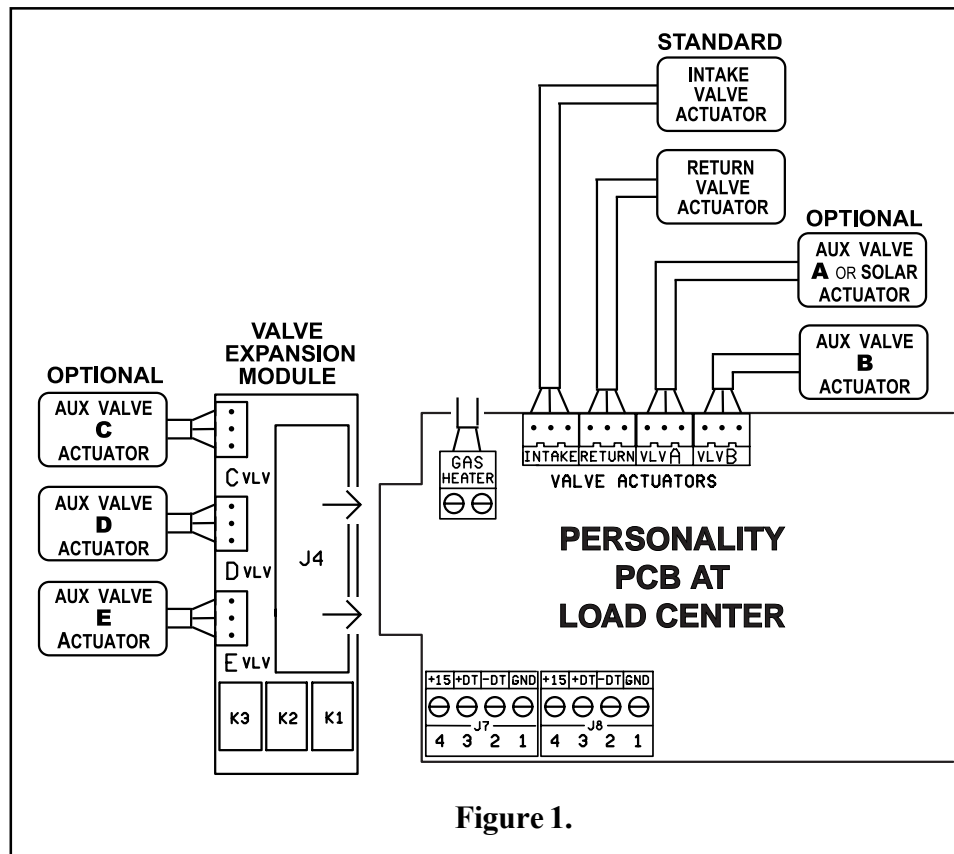


Figure 1.

#### Pentair Pool Products

1620 Hawkins Ave., Sanford, NC 27330 • (919) 566-8000  
10951 West Los Angeles Ave., Moorpark, CA 93021 • (805) 523-2400



# Configuring Valve Actuators to be controlled by AUX or FEATURE Circuits



## About Configuring Auxiliary Valve Actuators.

The IntelliTouch system can drive two auxiliary valve actuators for applications such as solar heating and water features. With the addition of the Valve Module circuit board, installed in the load center, the system will accommodate up to three additional actuators.

It is always best to first assign names to the AUX or FEATURE circuits before configuring the valve actuators. That way, when you arrive at step 2 of this process, you can easily find the control circuit you wish to match up to each particular valve actuator.

Auxiliary valve actuators can be controlled by any AUX circuit or FEATURE circuit. Please note that the i5 models do not include FEATURE circuits and must thus use the AUX circuits for controlling valve actuators.

By using FEATURE circuits to control valve actuators, you can conserve your AUX circuits for high voltage relays for controlling pumps and lights.

**1** Select the button beside the valve actuator you wish to configure.

**2** Keep pressing the button until you find the circuit name which you would like to use to control that particular valve actuator. As you scroll through the possibilities, you will find all the circuits which you have assigned names to, whether they are AUX circuits, or FEATURE circuits.



**VALVE A:** Resides on personality board. Used for solar heating or auxiliary valve actuator control. If solar heating has been set up, Valve A is automatically configured as solar valve actuator.

**VALVE B:** Resides on personality board. Can be configured to be controlled by any circuit.

**VALVES C, D, E:** Reside on optional Valve Module board, which plugs into personality board. Can be configured to be controlled by any circuit.

**3** Press SAVE when finished.

## SAVE THESE INSTRUCTIONS.

### Pentair Pool Products

1620 Hawkins Ave., Sanford, NC 27330 • (919) 566-8000  
10951 West Los Angeles Ave., Moorpark, CA 93021 • (805) 523-2400



Because reliability matters most