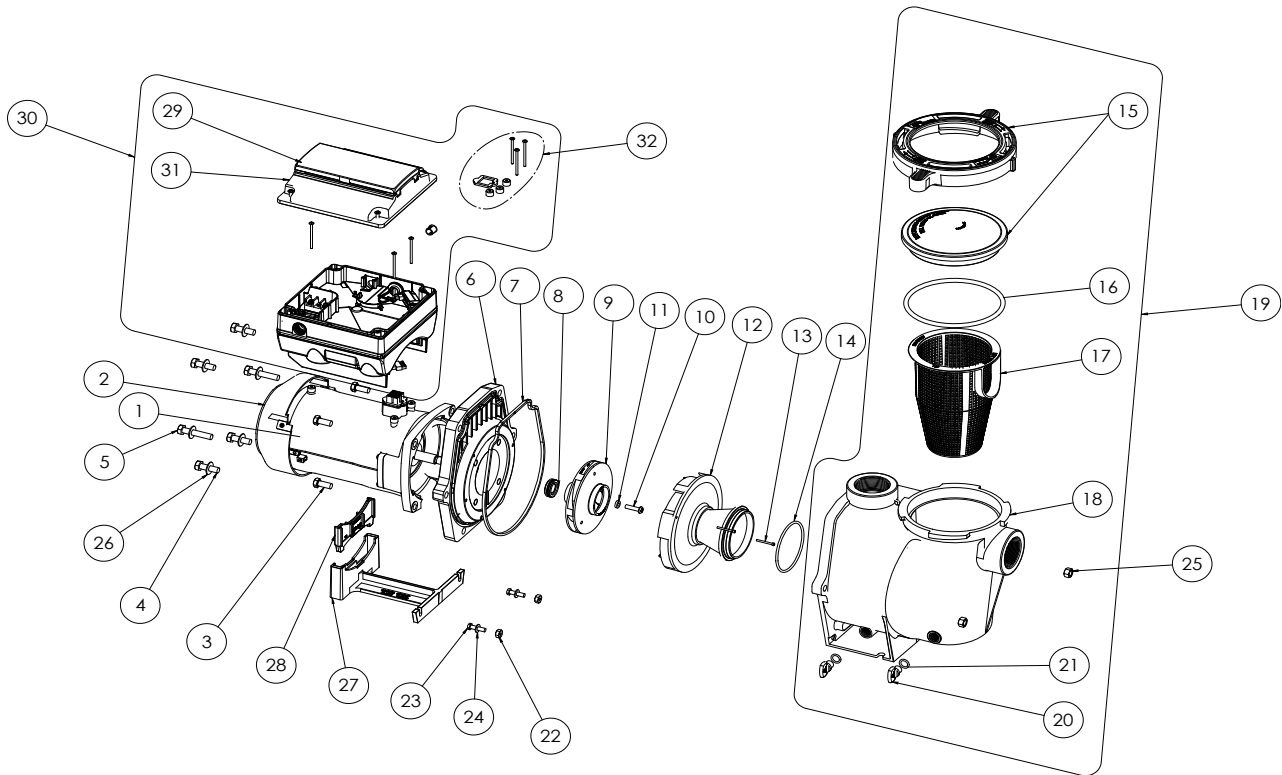


INTELLIFLO PUMPS

REPLACEMENT PARTS



Item	Description	Part No.	
		INTELLIFLO 2 VSF	INTELLIFLO (VS/VF/VS+SVRS)
1	Motor (Black)	350306	350306 + 800060
1	Motor (Almond)	-	350105
2	Motor Fan and Cowel Kit (Black)	352501	352501
2	Motor Fan and Cowel Kit (Almond)		352401
3	Bolt Hex 3/8-16 x 7/8 SS	See Fasteners Kit	See Fasteners Kit
4	Bolt 3/8-16 x 1-1/4 Hex Cap	See Fasteners Kit	See Fasteners Kit
5	Bolt 3/8-16 x 2" Hex Cap	See Fasteners Kit	See Fasteners Kit
	Fasteners Kit	801431	801431
6	Seal Plate (Black)	350101	350101
	Seal Plate (Almond)		350201
7	Gasket Sealpate	357100	357100
8	Mechanical Seal	071734S	071734S
9	Impeller Kit (includes 10 & 11)	073131K	073131K
10	Screw 1/4-20 x 1 LH Phillips Pan	071652	071652
11	Washer Rubber	075713	075713
12	Diffuser (includes 13 & 14)	072928K	072928K
13	Screw Set 4-40 x 1-1/8 (need 2)	071660	071660
14	O- RING 1/8" X 3 3/8" ID	355227	355227
	Seal Kit (Includes Items 7, 8 & 14)	071734K	071734K

INTELLIFLO PUMPS

REPLACEMENT PARTS

Item	Description	Part No.	
		INTELLIFLO 2 VSF	INTELLIFLO (VS/VF/VS+SVRS)
15	LID KIT (Black) Includes Lid & O-Ring	357150K	357150K
16	O-RING LID	350013	350013
17	BASKET	070387	070387
18	PUMP CASING	See Tank and Trap Assembly	See Tank and Trap Assembly
19	TANK AND TRAP ASSEMBLY (BLACK) INCLUDES ITEMS 15, 16, 17, 18, 10 & 21	359541	359541
20	Drain Plug	See Drain Plug Kit	See Drain Plug Kit
21	O-ring Drain Plug	See Drain Plug Kit	See Drain Plug Kit
	DRAIN PLUG KIT (BLACK) Includes ITEMS 20, 21 x2	357161K	357161K
22	Nut 1/4-20 SS Hex	See Foot Kit	See Foot Kit
23	Screw 1/4-20 x 1 Hex Cap	See Foot Kit	See Foot Kit
24	Washer Flat 1/4 x 5/8 20 GA	See Foot Kit	See Foot Kit
25	Nut 3/8" SS 316 Coated	See Fasteners Kit	See Fasteners Kit
26	Washer 3/8 ID x 7/8 OD	See Fasteners Kit	See Fasteners Kit
27	Foot Black	See Foot Kit	See Foot Kit
28	Foot Insert Black	See Foot Kit	See Foot Kit
	Foot Kit (Black) Includes Items 22, 23, 24, 27, 28	357159K	357159K
	Foot (Almond) Items 27 and 29	-	Order 070927 and 070929
29	Control Cover Assembly (Black) pre 2014	-	357290
29	Control Cover Assembly (Black) 2014 onwards	401101	401101
30	Variable speed drive (Black)	800060	800060* *New VSF drive will retrofit to older model IntelliFlo pumps.
31	Terminal Cover (Black)	358526	353310
32	Kit Hardware / Gasket	350612	350612
33	Intellicom Communication Cable 50'	350122	350122
34	Barrel Unions (2 required)	89280110	89280110
35	Gasket - Terminal Cover	350313	350313
36	15A Power Supply Cable	707446	707446
37	Gland - Power Supply Cable	1300200	1300200
-	Union O-ring	02020016	02020016
-	Communication Port	355862	-