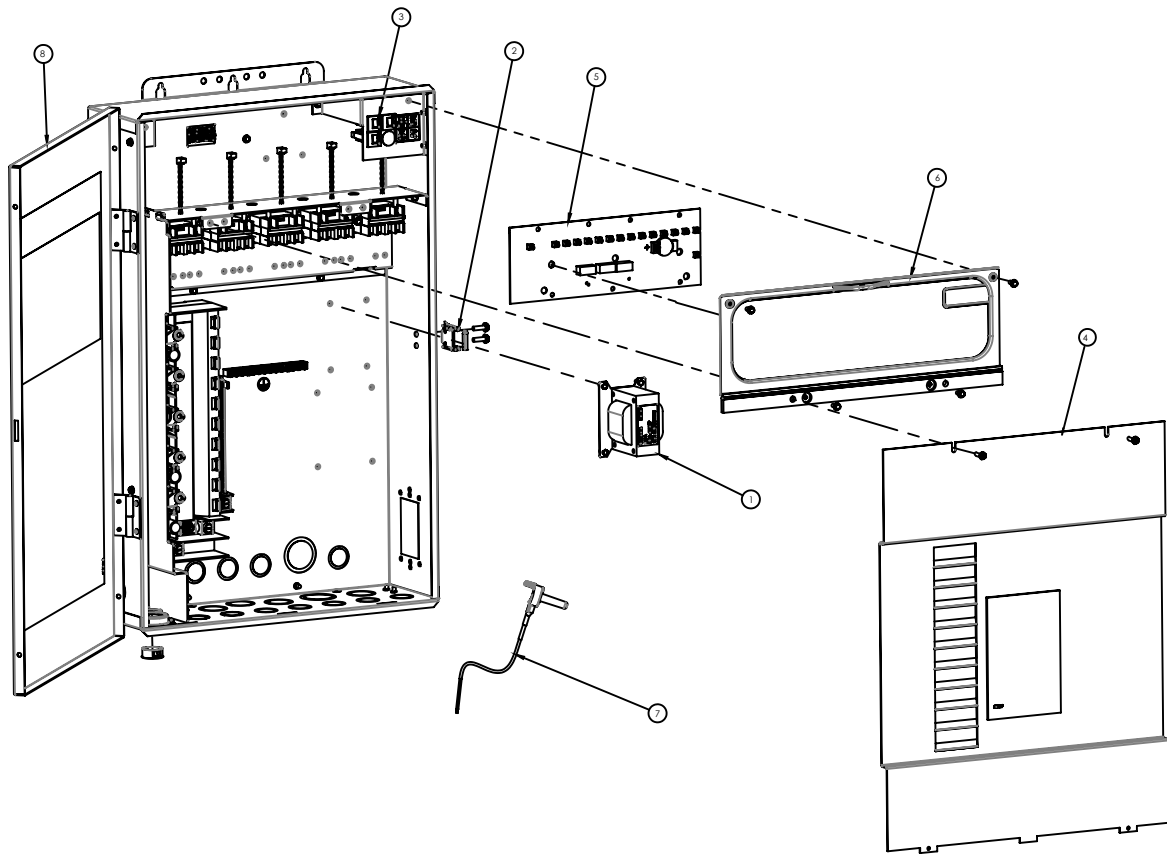


EASYTOUCH® CONTROL SYSTEMS

REPLACEMENT PARTS



Item	Part No.	Description
NEW EASYTOUCH CONTROL SYSTEMS REPLACEMENT PARTS		
1	521233	NEW LOAD CENTER SYS XFMR
2	521081Z	KIT LC DOOR LATCH
3	8520031	REPLACEMENT CIRCUIT BREAKER
4	521051Z	NEW LOAD CENTER HIGH VOLTAGE COVER PANEL
5	520657	UOC MOTHERBOARD WITH 8 AUX (Pool & Spa)
5	520659	UOC MOTHERBOARD WITH 4 AUX (Pool & Spa)
5	520711	UOC MOTHERBOARD WITH 8 AUX (Single Body)
5	520712	UOC MOTHERBOARD WITH 4 AUX (Single Body)
6	521232	NEW LOAD CENTER OCP BEZEL
7	520272	TEMPERATURE SENSOR, 10K THERMISTOR 20 FT. FOR WATER/AIR/SOLAR
8	521227	NEW LOAD CENTER DOOR W/ET & IT LABELS
EASYTOUCH CONTROL SYSTEMS REPLACEMENT PARTS		
	8023304	4-PIN COM PORT CONNECTOR
	520946Z	EASYTOUCH TRANSCEIVER CIRCUIT BOARD WITH ATTACHED ANTENNA
	520658	INDOOR CONTROL PANEL & WIRELESS REMOTE FEATURES LABEL (Set of 10)
	521246	QUICKTOUCH II® RECEIVER REPLC.
	8023304	4-PIN COM PORT CONNECTOR