



# MAGICSTREAM<sup>®</sup>

## DECK JET II WATER FEATURE

### Kit Contents (P/N 580003)

- Deck Jet Body — (Qty. 4)
- Nozzle Kit (P/N 590041) — (Qty. 4)
- Deck Jet Cover (P/N 990042) — (Qty. 4)

**Note:** Each kit contains parts for four (4) MagicStream<sup>®</sup> Deck Jet II units.



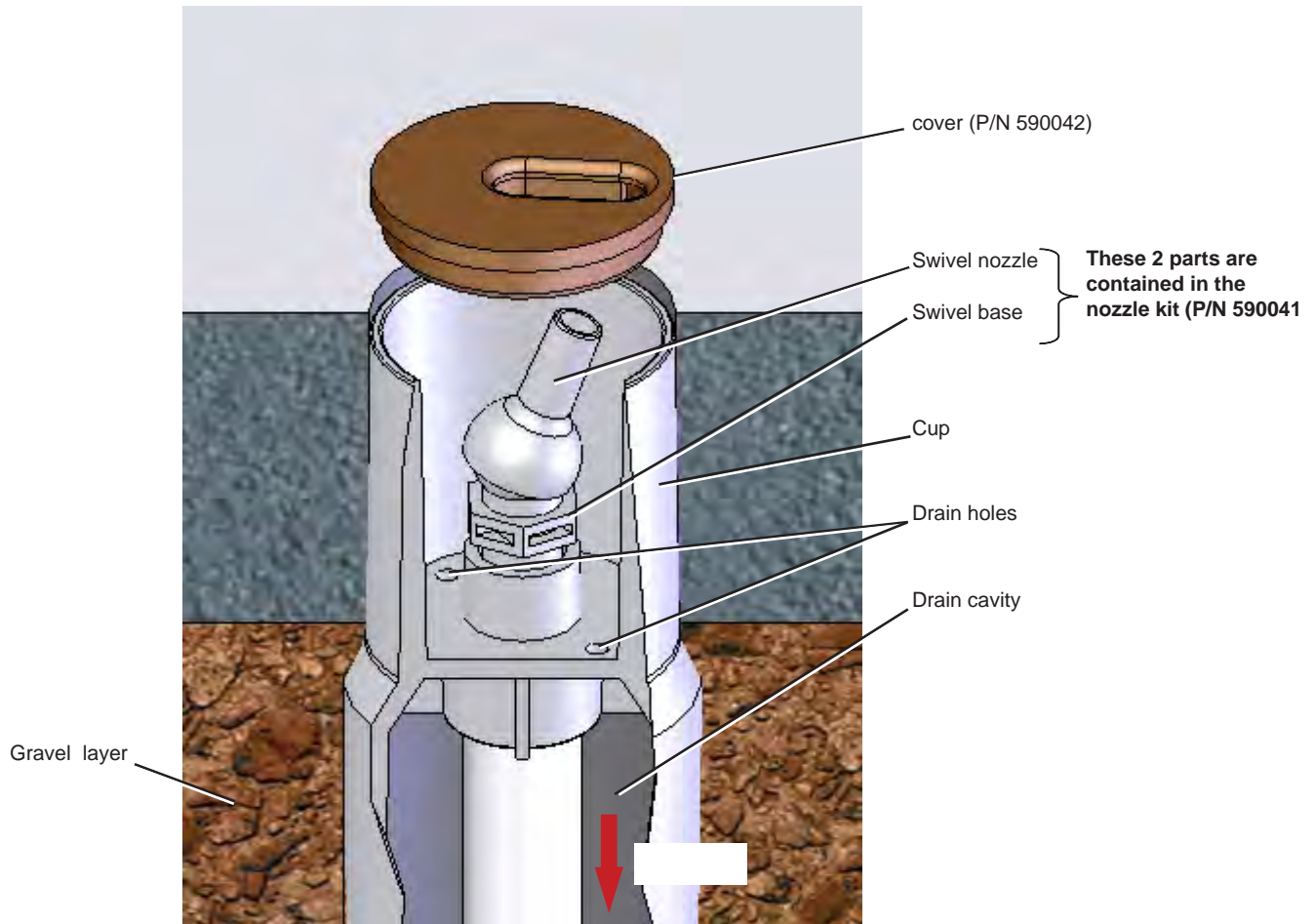
## INSTALLATION INSTRUCTIONS

**⚠ WARNING — FOR YOUR SAFETY:** This product must be installed and serviced by a pool service professional. The procedures in this manual must be followed exactly. Improper installation and/or operation will void the warranty. This document gives instructions for installing the MagicStream<sup>®</sup> Deck Jet II water feature. Read through the instructions completely before starting the procedure.

IMPORTANT SAFETY INSTRUCTIONS  
*READ AND FOLLOW ALL INSTRUCTIONS*  
SAVE THESE INSTRUCTIONS

## Overview

The MagicStream® Deck Jet II water feature is designed to be installed in the deck or landscaping surrounding the pool, spa, fountain, or pond. The swivel nozzle (Figure 1) produces a 5/16" stream of water. The body is equipped with two, 3/16" drain holes to allow water to drain from the cup surrounding the nozzle into the drain cavity at the base of the body (Figure 1). Be sure to keep the drain holes clear of debris. To aid in draining, it is recommended placing a gravel layer beneath the MagicStream® Deck Jet II water feature.



**Figure 1**

It is recommended that each Deck Jet II water feature be fitted with a 3/4" ball valve to allow flow control for each nozzle. For installations involving multiple nozzles, we recommend installing a 3-way valve on the main line near the pump for overall adjustment.

The MagicStream® Deck Jet II water feature is designed for a maximum flow rate of 5GPM at 11 ft of head (See table below).

### Water/Pressure Specifications

<b>Gallons (US GPM)</b>	<b>3.0</b>	<b>4.0</b>	<b>5.0</b>
<b>Feet of head</b>	<b>3.9</b>	<b>7.9</b>	<b>11.0</b>
<b>Height of jet</b>	<b>3.0</b>	<b>6.6</b>	<b>10.0</b>

## Installation

The MagicStream® Deck Jet II water feature body is designed to be connected to a 3/4" Sch40 PVC pipe (Figure 2). After the pipe is pressure tested, solvent weld the body to the 3/4" supply pipe. **NOTE: Use PVC/ABS glue only.** Anchor the MagicStream® Deck Jet II body, with the cover attached, so the cover is level with the finished deck surface.

Once the deck is finished, flush any debris from the supply pipe using the pump and filter system that supplies the MagicStream® Deck Jet II water feature. Apply threaded seal tape to the threads of the swivel base. Remove any debris from the cup and screw the swivel base into the Deck Jet body (Figure 2).

By hand, push the swivel nozzle until it snaps onto the swivel base (Figure 3).

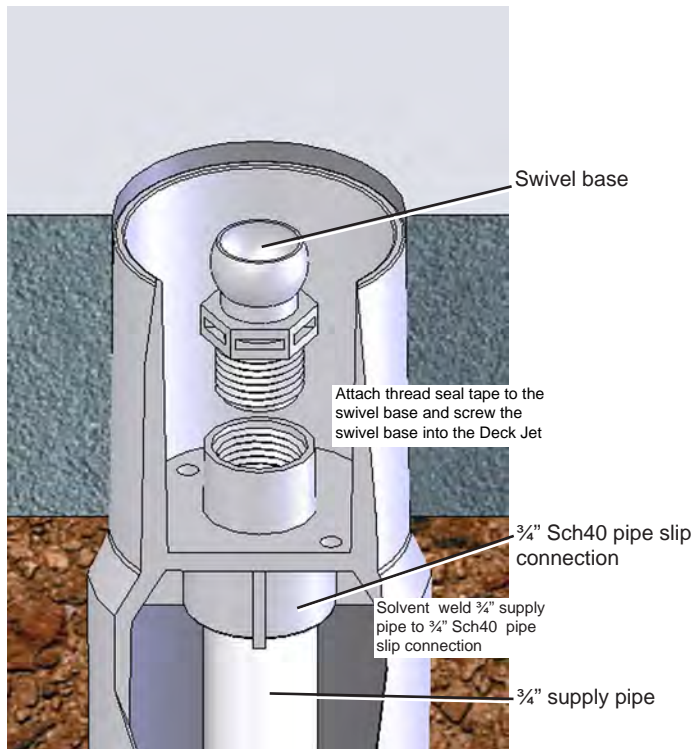


Figure 2

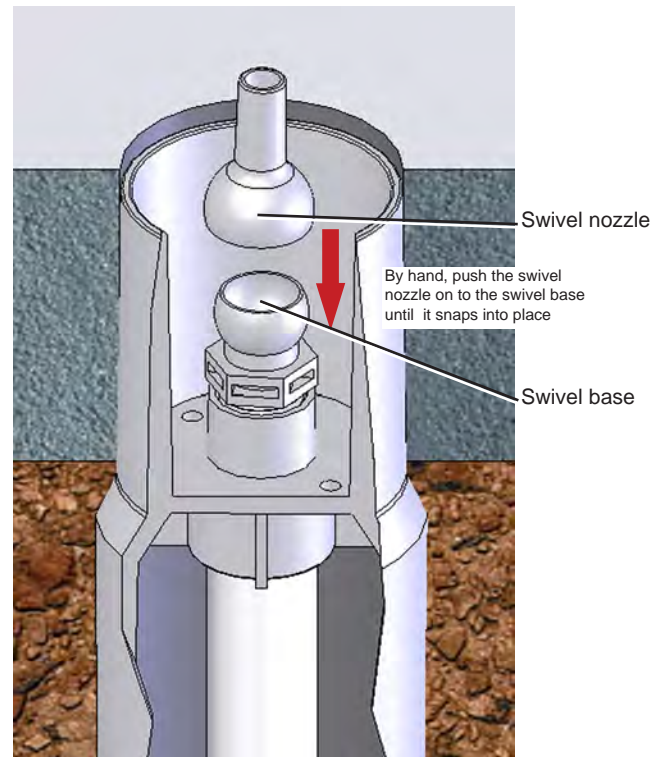


Figure 3

## Operation

Start the pump and adjust the appropriate valves as necessary to create the desired water effect.

If the stream of water is disrupted, remove the Cover, Jet and Jet Swivel Base. Check to see if there is any debris blocking the jet.



**WATER SOLUTIONS**

1620 HAWKINS AVE., SANFORD, NC 27330 • (919) 566-8000  
10951 WEST LOS ANGELES AVE., MOORPARK, CA 93021 • (805) 553-5000  
WWW.PENTAIRPOOL.COM

All Pentair trademarks and logos are owned by Pentair, Inc. Pentair Aquatic Systems™ and MagicStream® are trademarks and/or registered trademarks of Pentair Water Pool and Spa, Inc. and/or its affiliated companies in the United States and/ or other countries. Unless expressly noted, names and brands of third parties that may be used in this document are not used to indicate an affiliation or endorsement between the owners of these names and brands and Pentair Water Pool and Spa, Inc. Those names and brands may be the trademarks or registered trademarks of those third parties. Because we are continuously improving our products and services, Pentair reserves the right to change specifications without prior notice. Pentair is an equal opportunity employer.

© 2012 Pentair Aquatic Systems. All rights reserved. This document is subject to change without notice.



P/N 590043 REV. A 9/18/12